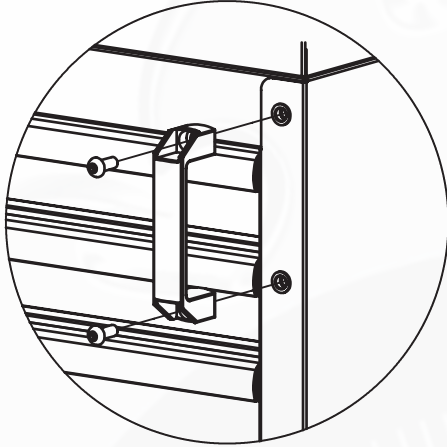


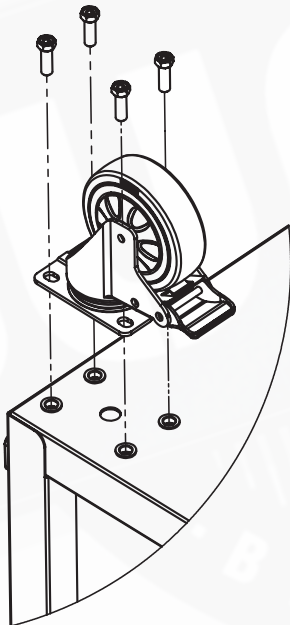
Stock No.  
**29779 / 29792**



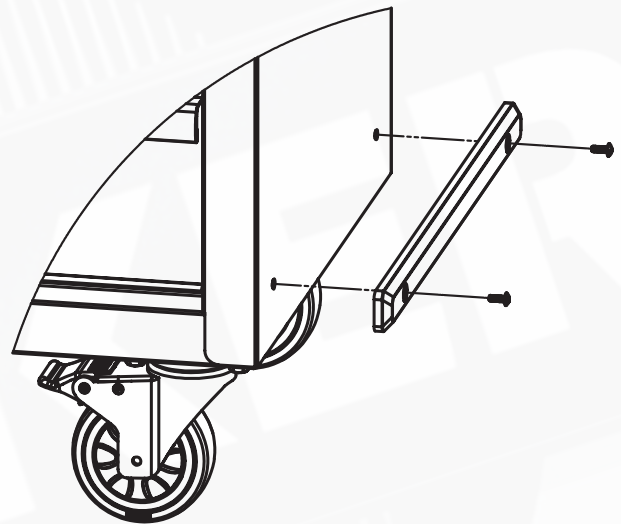
### 1. Attach Handles

Attach handles to front angled side with 4 pieces of M8 x 20mm bolt.

Do not fully tighten.



To make assembly easier we recommend having two persons aid one another in assembly.



### 2. Attach Bumpers

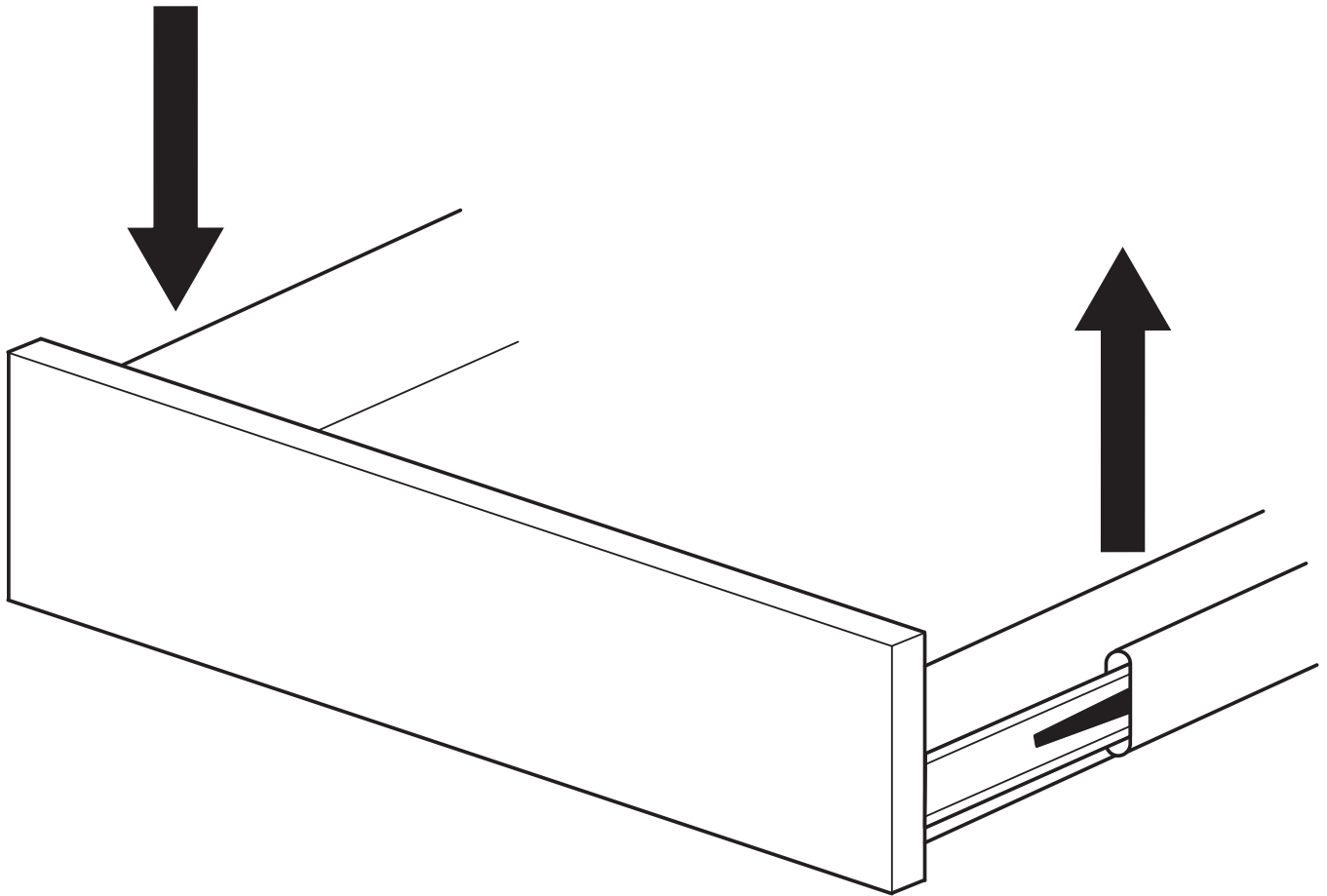
Attach bumpers to side panel with 4 pieces of M4 x 10mm bolt.

Do not fully tighten.

### 3. Attach Castors

Attach castors to the bottom of unit with 16 pieces of M8 x 20mm bolt.

Do not fully tighten.



## REMOVING AND REPLACING THE DRAWERS:

- Pull the drawer completely out
- Press down the left tab and lift up the right tab
- Pull drawer off sliders
- To reinstall the drawer, realign with the internal drawer slider and push in until locked in place

## CASTOR MAINTENANCE

Grease the castors annually using high-quality bearing grease.

## CARE AND CLEANING

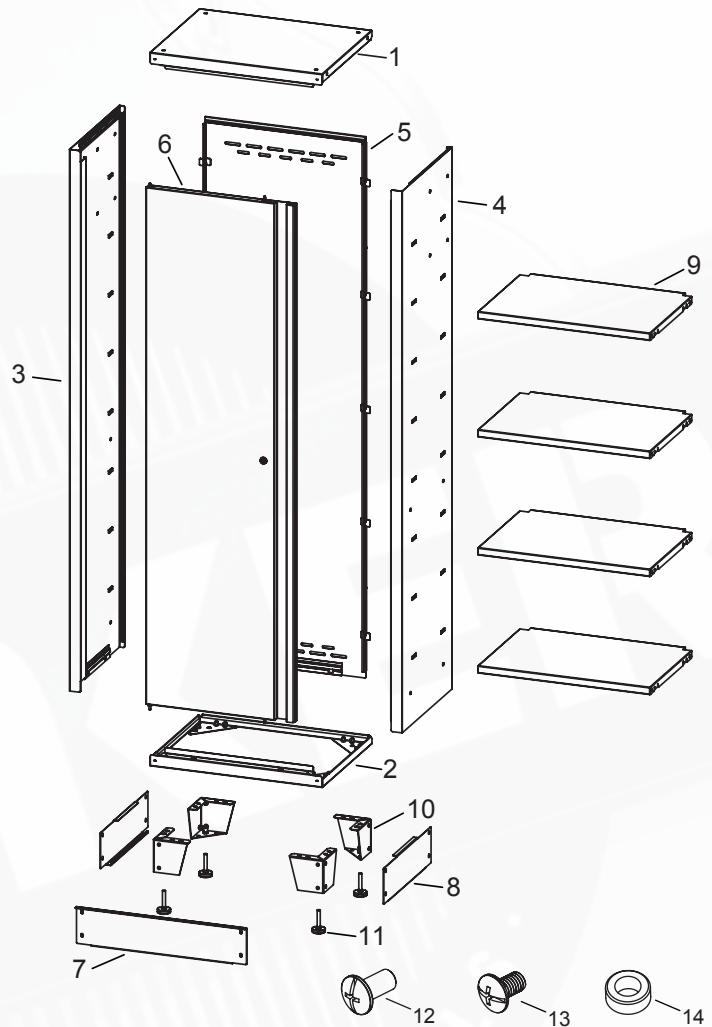
Periodically the surfaces should be cleaned with a mild detergent and water. Grease and oil can be removed with most standard cleaning fluids. For safety, use a non-flammable cleaning fluid.

Auto wax will preserve the storage unit's luster finish and protect against scratches.

Stock No.  
**33165**

To make assembly easier we recommend having two persons aid one another in assembly.

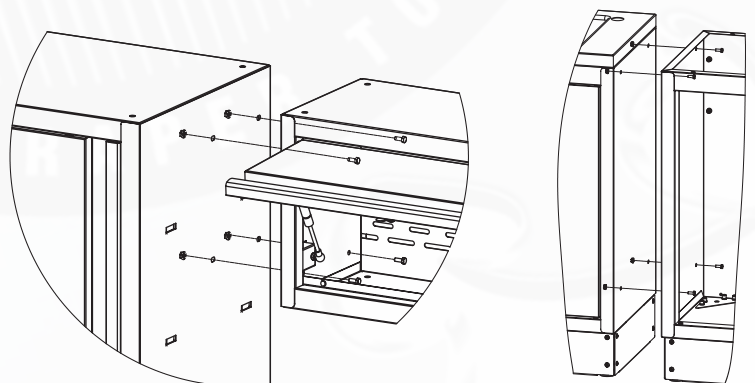
Item	Description	Quantity
1	Top Panel	1
2	Bottom Panel	1
3	Left Side Panel	1
4	Right Side Panel	1
5	Back Panel	1
6	Door	1
7	Front Kick Panel	1
8	Side Kick Panel	2
9	Shelf Panel	4
10	Foot Holder	4
11	Leg Leveller	4
12	M8 x 16mm bolt	16
13	M6 x 16mm bolt	12
14	12 x 7 x 5mm Flat Washer	1



## CABINET CONNECTION

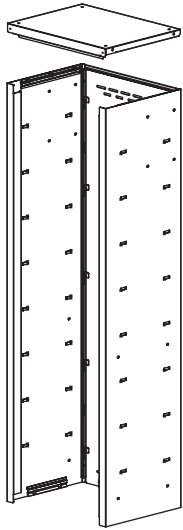
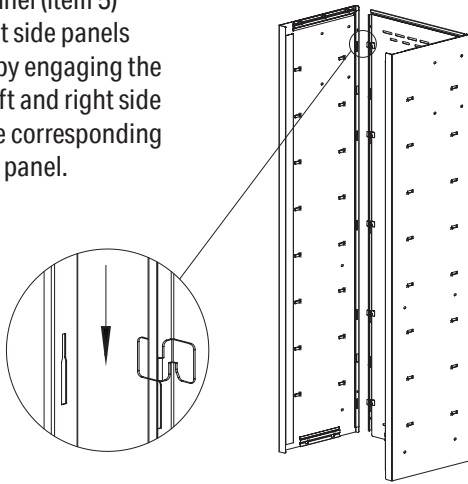
Connect the side panels of two cabinets with (4) bolt M6 x 16mm and nut M6, and tighten with phillips screwdriver (not included).

**Note:** remove the drawers and open the doors before cabinet connection.



### STEP 1:

Attach back panel (item 5) to left and right side panels (item 3 and 4) by engaging the holes on the left and right side panels with the corresponding hooks on back panel.

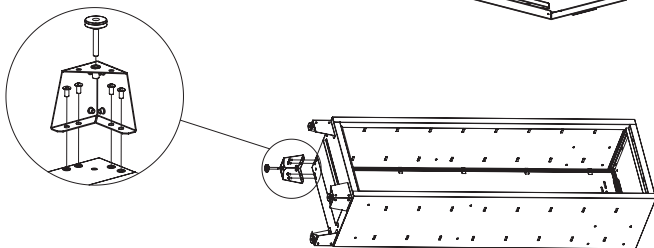
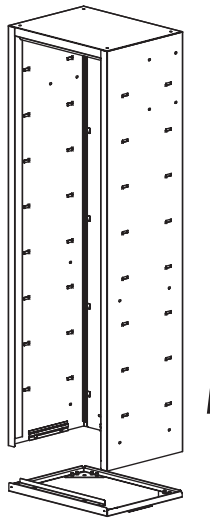


### STEP 2:

Insert the top panel (item 1) into the side and back panels. Lay the cabinet flat on the ground if necessary.

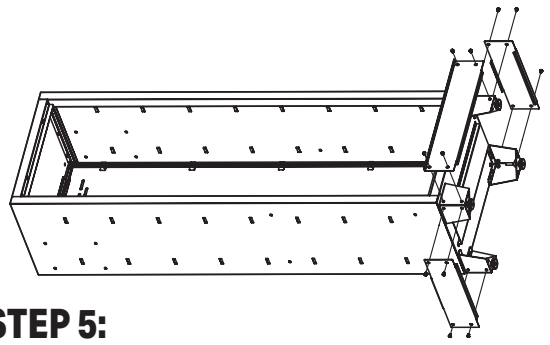
### STEP 3:

Insert the bottom panel (item 2) into the side and back panels. Lay the cabinet flat on the ground if necessary.



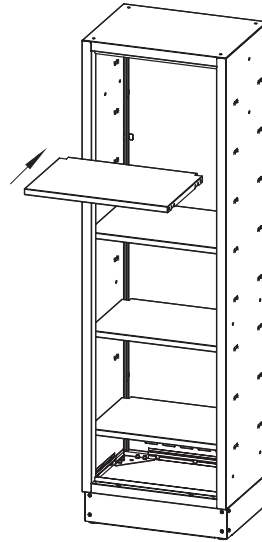
### STEP 4:

Use packaging material to protect the unit. Attach the leg leveller (item 11) to foot holder (item 10). Insert bolt M8 x 16mm (item 12) through the foot holder into the cabinet.



### STEP 5:

Attach the front and side kick panel (item 7 and 8) to foot holder with bolt M6 x 16mm (item 13).

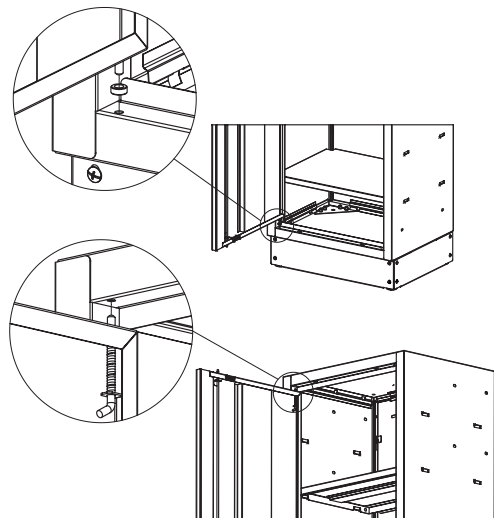


### STEP 6:

Obliquely place the four shelf panels (item 9) in the cabinet, secure the shelf panels at four desired heights by carefully inserting the shelf edges into the flanges on left and right side panels. Make sure each shelf is level.

### STEP 7:

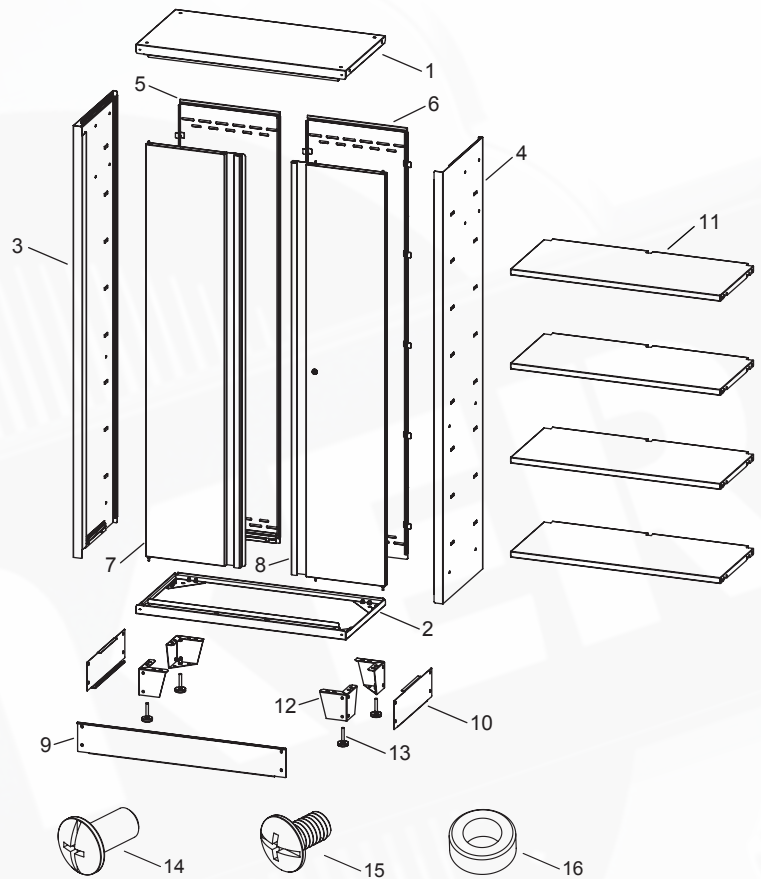
Place the flat washer (item 14) into the hinge pin, align the hinge pin on the bottom of the door with the hole on bottom panel, slowly and carefully insert the hinge pin into the hole. Align the hinge pin on the top of the door with the hole on top panel, slowly and carefully insert the hinge pin into the hole.



Stock No.  
**33166**

To make assembly easier we recommend having two persons aid one another in assembly.

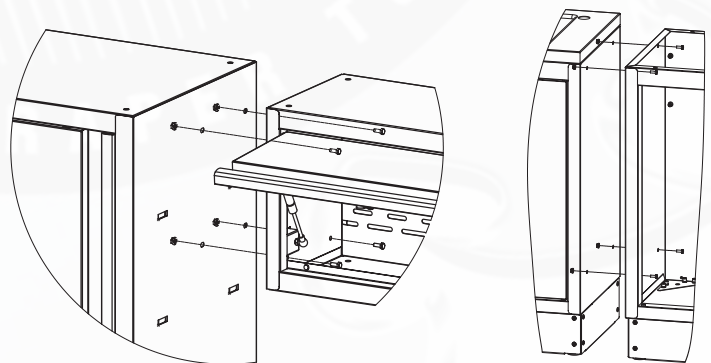
Item	Description	Quantity
1	Top Panel	1
2	Bottom Panel	1
3	Left Side Panel	1
4	Right Side Panel	1
5	Left Back Panel	1
6	Right Back Panel	1
7	Left Door	1
8	Right Door	1
9	Front Kick Panel	1
10	Side Kick Panel	2
11	Shelf Panel	4
12	Foot Holder	4
13	Leg Leveller	4
14	M8 x 16mm bolt	16
15	M6 x 16mm bolt	12
16	12 x 7 x 5mm Flat Washer	1



## CABINET CONNECTION

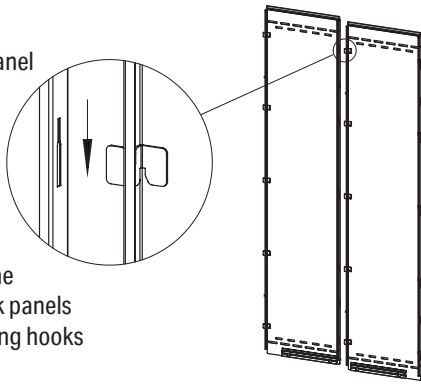
Connect the side panels of two cabinets with (4) bolt M6 x 16mm and nut M6, and tighten with phillips screwdriver (not included).

**Note:** remove the drawers and open the doors before cabinet connection.



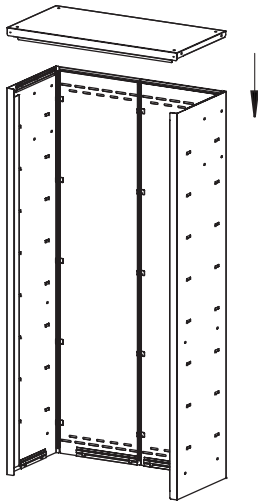
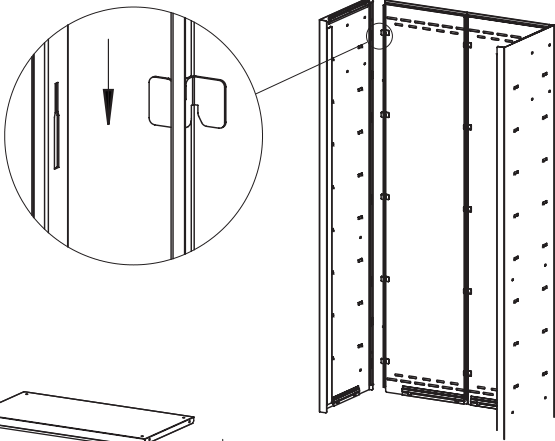
## STEP 1:

Place the left back panel (item 5) and right back panel (item 6) together on a level surface. Attach right back panel to left back panel by engaging the holes on the left back panels with the corresponding hooks on right back panel.



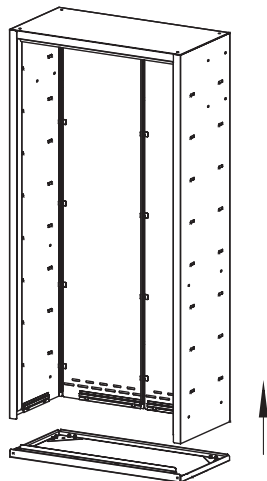
## STEP 2:

Attach left and right back panels to left and right side panels (item 3 and 4) by engaging the holes on the side panels with the corresponding hooks on back panels.



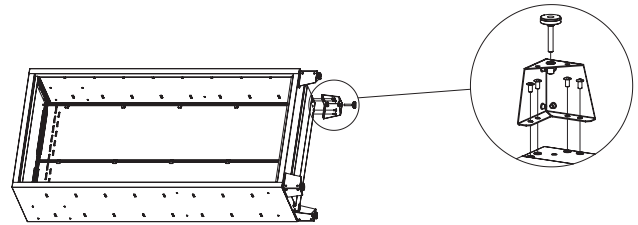
## STEP 3:

Insert the top panel (item 1) into the side and back panels. Lay the cabinet flat on the ground if necessary.



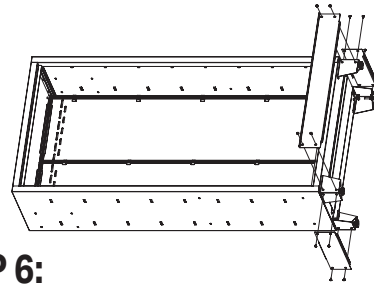
## STEP 4:

Insert the bottom panel (item 2) into the side and back panels. Lay the cabinet flat on the ground if necessary.



## STEP 5:

Use packaging material to protect the unit. Attach the leg leveller (item 13) to foot holder (item 12). Insert bolt M8 x 16mm (item 14) through the foot holder into the cabinet.

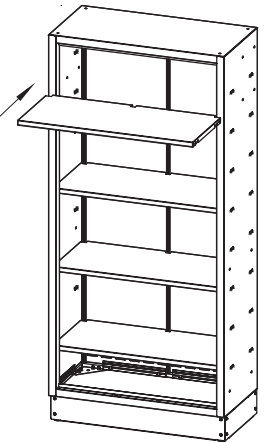
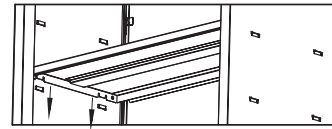


## STEP 6:

Attach the front and side kick panel (item 9 and 10) to foot holder with bolt M6 x 16mm (item 15).

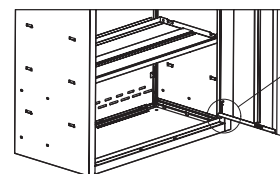
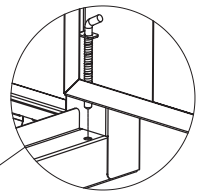
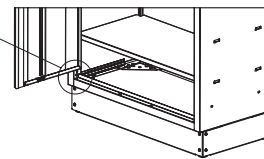
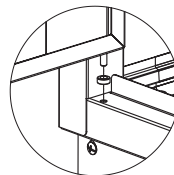
## STEP 7:

Obliquely place the four shelf panels (item 11) in the cabinet, secure the shelf panels at four desired heights by carefully inserting the shelf edges into the flanges on left and right side panels. Make sure each shelf is level.



## STEP 8:

Place the flat washer (item 16) into the hinge pin, align the hinge pin on the bottom of the door with the hole on bottom panel, slowly and carefully insert the hinge pin into the hole. Align the hinge pin on the top of the door with the hole on top panel, slowly and carefully insert the hinge pin into the hole. Repeat the step above to complete the right door assembly.

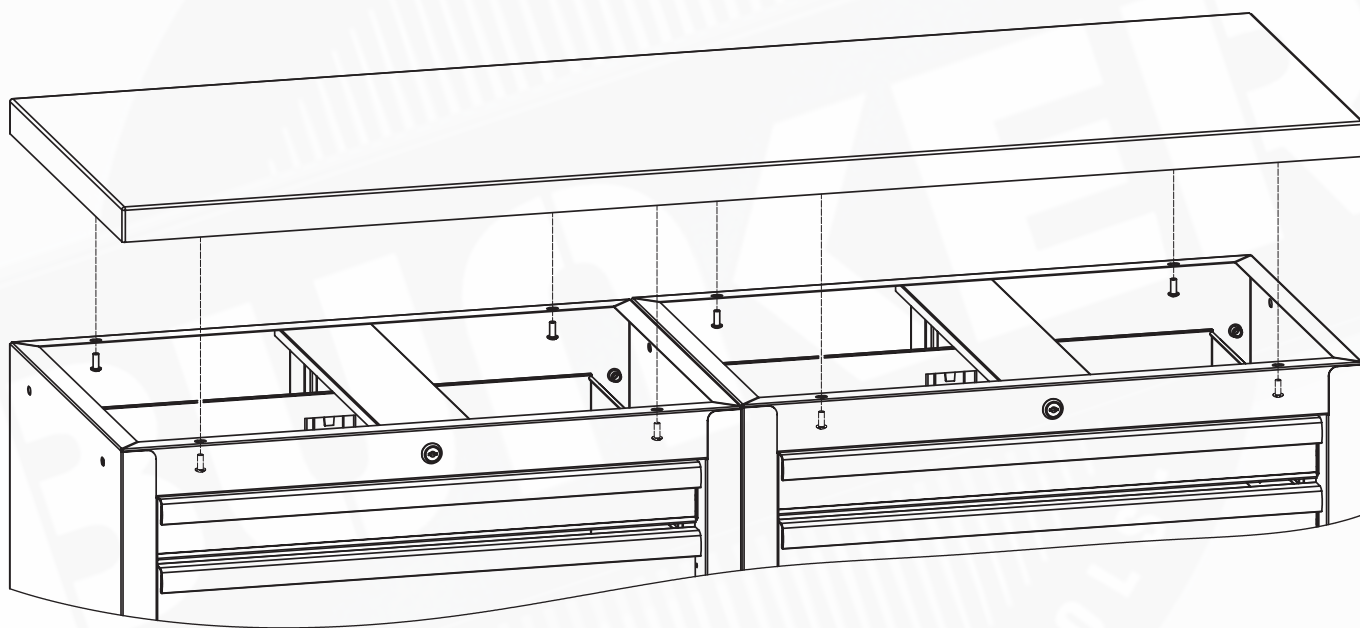


Stock No.

**33171, 33172, 33178, 33180,  
33182, 33192, 33203, 33210**

To make assembly easier we recommend having two persons aid one another in assembly.

Place the worktop on cabinets, align the pre-drilled holes in worktop with holes in cabinets, secure bolt M6 x 16mm through the top of the cabinets into the worktop pre-drilled holes.



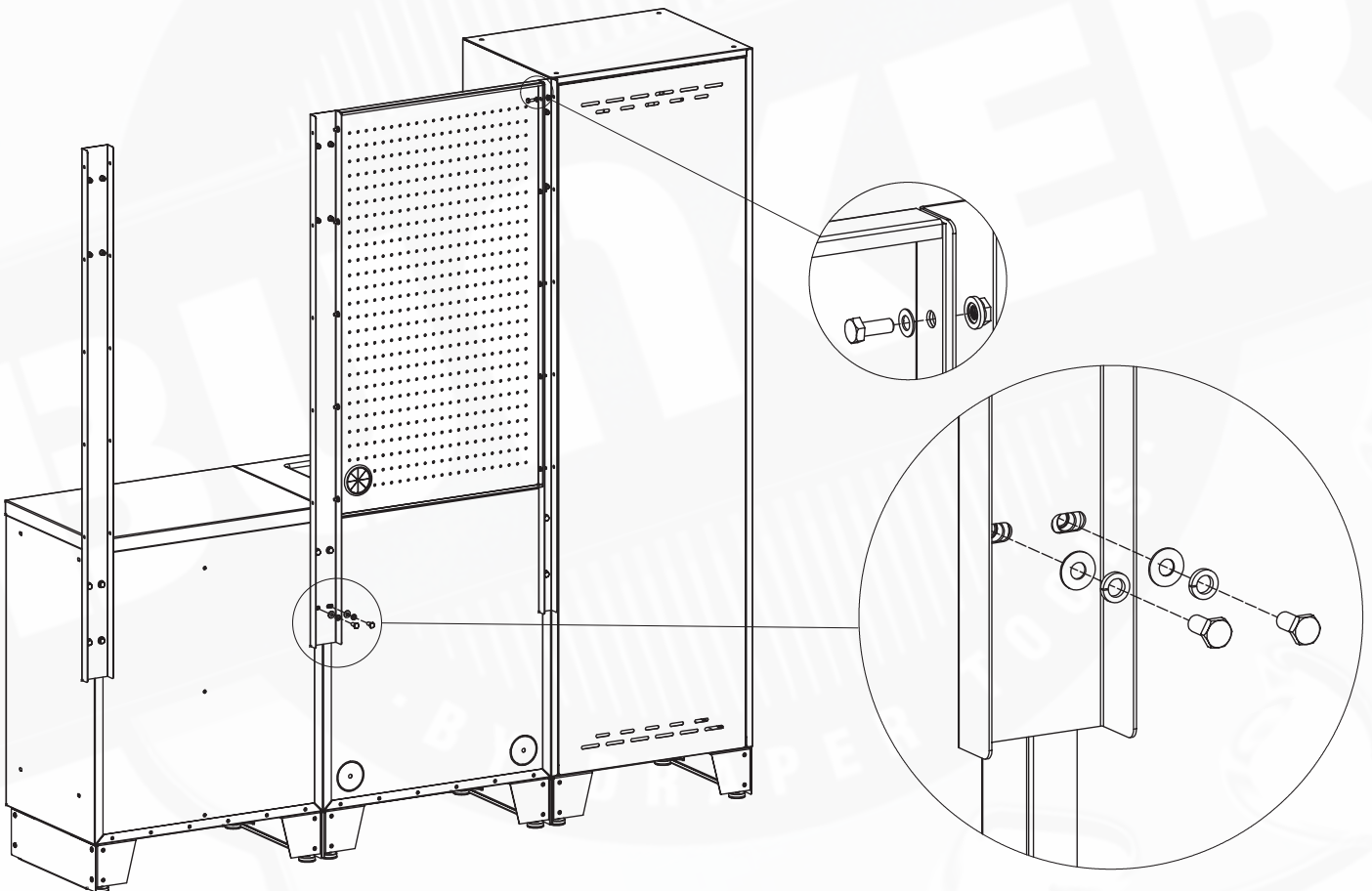
To make assembly easier we recommend having two persons aid one another in assembly.

### STEP 1:

Attach wall bracket (single and double) to cabinet with bolt M8 x 16mm, washer 18 x 8 x 1mm and spring washer 14 x 8.8 x 2.6mm, and tighten with wrench (not included).

### STEP 2:

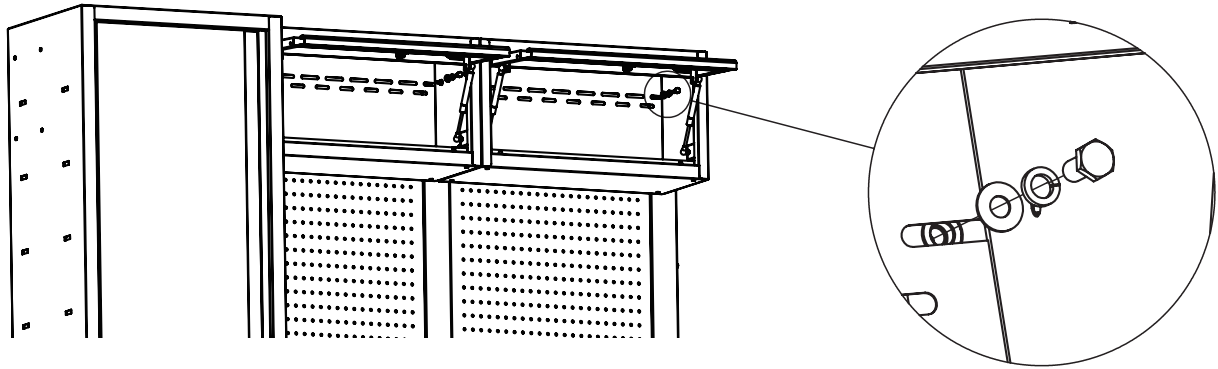
Attach back panel to wall bracket (single and double) with bolt M6 x 16mm, nut M6 and spring washer 12 x 6.5 x 0.8mm, and tighten with wrench (not included).





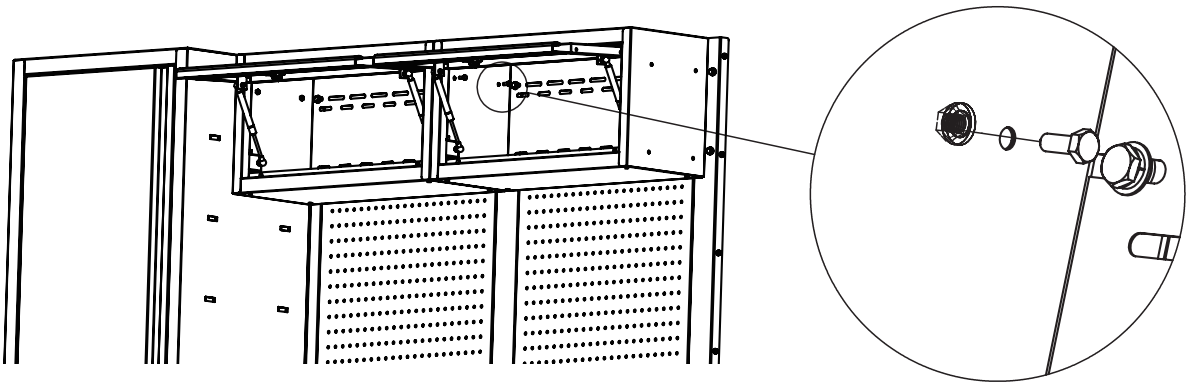
### STEP 3:

Attach wall cabinet to wall bracket (single and double) with bolt M8 x 16mm, flat washer 8 x 8 x 1mm and spring washer 14 x 8.8 x 2.6mm, and tighten with wrench (not included)



### STEP 4:

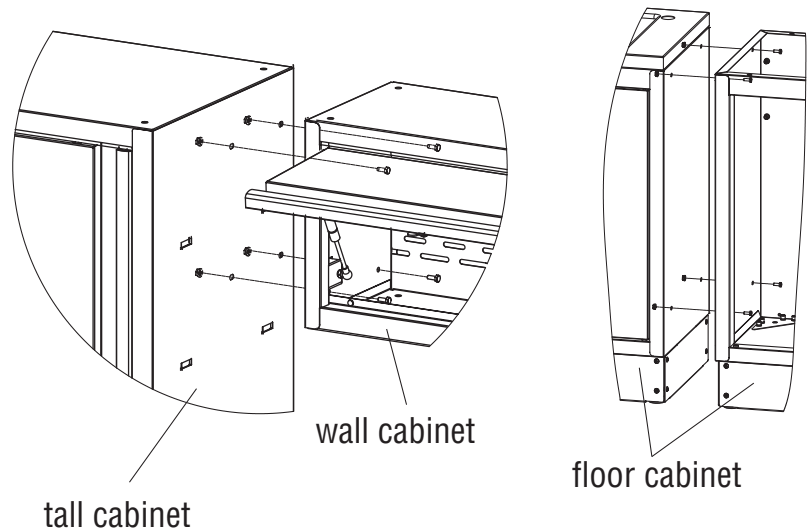
Connect the side panels of two cabinets with M6 x 16mm and nut M6, and tighten with wrench (not included).



### CABINET CONNECTION

Connect the side panels of two cabinets with (4) bolt M6 x 16mm and nut M6, and tighten with wrench (not included).

**Note:** remove the drawers and open the doors before cabinet connection.



Stock No.  
**33197, 33198**

- Attach wall bracket (double) to back panel with (10) bolt M6 x 16mm, nut M6 and flat washer 12 x 6.5 x 0.8mm, and tighten with wrench (not included).
- Attach wall bracket (double) to wall cabinets and base cabinets / trolley with (8) bolt M8 x 16mm, flat washer 18 x 8 x 1mm and spring washer 14 x 8.8 x 2.6mm, and tighten with wrench (not included).
- Attach wall bracket (single) to back panel with (5) bolt M6 x 16mm, nut M6 and flat washer 12 x 6.5 x 0.8mm, and tighten with wrench (not included).
- Attach wall bracket (single) to wall cabinets and base cabinets / trolley with (4) bolt M8 x 16mm, flat washer 18 x 8 x 1mm and spring washer 14 x 8.8 x 2.6mm, and tighten with wrench (not included).

