

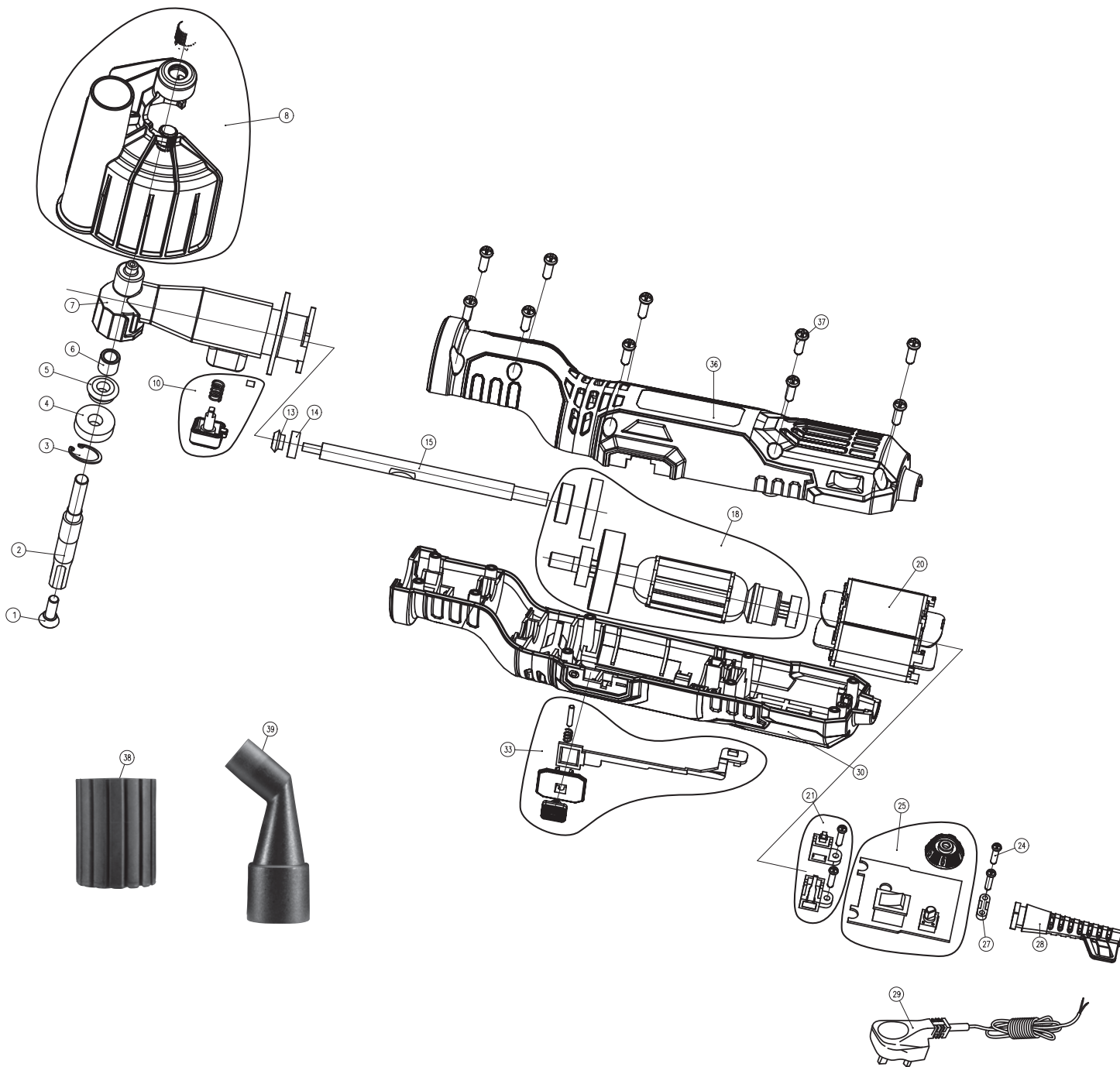
DRAPER®

230V

SANDING ROLLER



90469 - SR310D SPARE PARTS DRAWING



KEY No.	PART No.	STOCK No.	DESCRIPTION
1	YSR310D-1	98708	Lock screw
8	YSR310D-8	98709	Protection hood
10	YSR310D-10	98710	Spindle lock button assembly
18	YSR310D-18	98836	Armature assembly
20	YSR310D-20	98848	Stator
21	YSR310D-21	98849	Carbon brush assembly
25	YSR310D-25	98850	Circuit board assembly

KEY No.	PART No.	STOCK No.	DESCRIPTION
33	YSR310D-33	98851	Switch rod assembly
38	YSR310D-38	98705	Sanding sleeve holder
39	YSR310D-39	98706	Dust extraction adaptor

Helpline: +44 (0) 23 8049 4344 Sales Desk: +44 (0) 23 8049 4333 General Enquiries: +44 (0) 23 8026 6355 internet: drapertools.com email: sales@drapertools.com