



DRAPER[®]

230V SANDING ROLLER

90469



These instructions accompanying the product are the original instructions. This document is part of the product, keep it for the life of the product passing it on to any subsequent holder of the product. Read all these instructions before assembling, operating or maintaining this product.

This manual has been compiled by Draper Tools describing the purpose for which the product has been designed, and contains all the necessary information to ensure its correct and safe use. By following all the general safety instructions contained in this manual, it will ensure both product and operator safety, together with longer life of the product itself.

All photographs and drawings in this manual are supplied by Draper Tools to help illustrate the operation of the product.

Whilst every effort has been made to ensure the accuracy of information contained in this manual, the Draper Tools policy of continuous improvement determines the right to make modifications without prior warning.

1. TITLE PAGE

1.1 INTRODUCTION:

USER MANUAL FOR: 230V Sanding Roller

Stock No: 90469

Part No: SR310D

1.2 REVISIONS:

Date first published July 2019.

As our user manuals are continually updated, users should make sure that they use the very latest version.

Downloads are available from: <http://drapertools.com/manuals>

Draper Tools Limited
Hursley Road
Chandler's Ford
Eastleigh
Hampshire
SO53 1YF
UK

Website: drapertools.com

Product Helpline: +44 (0) 23 8049 4344

General Fax: +44 (0) 23 8026 0784

1.3 UNDERSTANDING THIS MANUALS SAFETY CONTENT:

WARNING! – Information that draws attention to the risk of injury or death.

CAUTION! – Information that draws attention to the risk of damage to the product or surroundings.

1.4 COPYRIGHT © NOTICE:

Copyright © Draper Tools Limited.

Permission is granted to reproduce this publication for personal and educational use only. Commercial copying, redistribution, hiring or lending is prohibited.

No part of this publication may be stored in a retrieval system or transmitted in any other form or means without written permission from Draper Tools Limited.

In all cases this copyright notice must remain intact.

2. CONTENTS

1. TITLE PAGE	
1.1 INTRODUCTION.....	2
1.2 REVISION HISTORY	2
1.3 UNDERSTANDING THIS MANUAL	2
1.4 COPYRIGHT NOTICE	2
2. CONTENTS	
2.1 CONTENTS.....	3
3. WARRANTY	
3.1 WARRANTY.....	4
4. INTRODUCTION	
4.1 SCOPE.....	5
4.2 SPECIFICATION	5
4.3 HANDLING & STORAGE	5
5. HEALTH AND SAFETY INFORMATION	
5.1 GENERAL POWER TOOL SAFETY WARNINGS.....	6-7
5.2 ADDITIONAL SAFETY INSTRUCTIONS FOR SANDERS	7
5.3 RESIDUAL RISK	7
5.4 CONNECTION TO THE POWER SUPPLY.....	8
6. TECHNICAL DESCRIPTION	
6.1 IDENTIFICATION	9
7. UNPACKING AND CHECKING	
7.1 PACKAGING	10
7.2 WHAT'S IN THE BOX.....	10
8. PREPARING SANDING ROLLER	
8.1 FITTING AND CHANGING SANDING ACCESSORIES	11
8.2 DUST GUARD / SPARK DEFLECTOR	11
8.3 DUST.....	12
9. BASIC SANDING ROLLER OPERATIONS	
9.1 SWITCHING ON AND OFF.....	13
9.2 SPEED CONTROL.....	13
10. MAINTENANCE AND TROUBLESHOOTING	
10.1 MAINTENANCE	14
10.2 TROUBLESHOOTING	14
11. OPTIONAL ACCESSORIES	
11.1 OPTIONAL ACCESSORIES.....	14
12. DISPOSAL	
12.1 DISPOSAL.....	15
13. EXPLANATION OF SYMBOLS	
13.1 EXPLANATION OF SYMBOLS	16
DECLARATION OF CONFORMITY	ENCLOSED

3. WARRANTY

3.1 WARRANTY

Draper tools have been carefully tested and inspected before shipment and are guaranteed to be free from defective materials and workmanship.

Should the tool develop a fault, please return the complete tool to your nearest distributor or contact

Draper Tools Limited, Chandler's Ford, Eastleigh, Hampshire, SO53 1YF. England.

Telephone Sales Desk: (023) 8049 4333 or Product Help Line (023) 8049 4344.

A proof of purchase must be provided with the tool.

If upon inspection it is found that the fault occurring is due to defective materials or workmanship, repairs will be carried out free of charge. This warranty period covering labour is 12 months from the date of purchase except where tools are hired out when the warranty period is 90 days from the date of purchase. The warranty is extended to 24 months for parts only. This warranty does not apply to any consumable parts, any type of battery or normal wear and tear, nor does it cover any damage caused by misuse, careless or unsafe handling, alterations, accidents, or repairs attempted or made by any personnel other than the authorised Draper warranty repair agent.

Note: If the tool is found not to be within the terms of warranty, repairs and carriage charges will be quoted and made accordingly.

This warranty applies in lieu of any other warranty expressed or implied and variations of its terms are not authorised.

Your Draper warranty is not effective unless you can produce upon request a dated receipt or invoice to verify your proof of purchase within the warranty period.

Please note that this warranty is an additional benefit and does not affect your statutory rights.

Draper Tools Limited.

4. INTRODUCTION

4.1 SCOPE

Handheld power tool for the effective sanding of curved and flat surfaces alike. Ideal for intricate shapes - bannisters, rails, spindles etc.

As part of our core range, this product is suitable for enthusiasts and tradespeople alike. Any application other than that it was intended for, is considered misuse

4.2 SPECIFICATION

Stock No.	90469
Part No.	SR310D
Motor:	
Rated voltage	230V~
Rated frequency.....	50Hz
Rated input	310W
Revolutions per minute (no load)	1600-3000min ⁻¹
Drum size	45mmØ
Sound pressure level (LpA)*:	83.1dB(A)
Sound power level (LWA)**:	94.1dB(A)
Uncertainty (K):	3dB(A)
Vibration level	2.454m/s ² , K=1.5m/s ²
Weight (machine and dust guard)	1.694kg

* *Continuous A-Weighted Sound Pressure Level at the workstation in accordance to and declared according to EN60745.*

** *The typical A-weighted noise level determined according to EN60745.*

†*When sanding in wood.*

4.3 HANDLING & STORAGE

- Care must be taken when handling this product.
 - Dropping this power tool could have an effect on its accuracy and could also result in personal injury. This product is not a toy and must be respected.
- Environmental conditions can have a detrimental effect on this product if neglected.
 - Exposure to damp air can gradually corrode components.
 - If the product is unprotected from dust and debris, components will become clogged.
 - If not cleaned and maintained correctly or regularly, the machine will not perform at its best.

5. HEALTH AND SAFETY INFORMATION

5.1 GENERAL POWER TOOL SAFETY WARNINGS

WARNING Read all safety warnings, instructions, illustrations and specifications provided with this power tool. Failure to follow all instructions listed below may result in electric shock, fire and/or serious injury.

Save all warnings and instructions for future reference.

The term "power tool" in the warnings refers to your mains-operated (corded) power tool or battery-operated (cordless) power tool.

Work area safety

Keep work area clean and well lit. Cluttered or dark areas invite accidents.

Do not operate power tools in explosive atmospheres, such as in the presence of flammable liquids, gases or dust. Power tools create sparks which may ignite the dust or fumes.

Keep children and bystanders away while operating a power tool. Distractions can cause you to lose control.

Electrical safety

Power tool plugs must match the outlet. Never modify the plug in any way. Do not use any adapter plugs with earthed (grounded) power tools. Unmodified plugs and matching outlets will reduce risk of electric shock.

Avoid body contact with earthed or grounded surfaces, such as pipes, radiators, ranges and refrigerators. There is an increased risk of electric shock if your body is earthed or grounded.

Do not expose power tools to rain or wet conditions. Water entering a power tool will increase the risk of electric shock.

Do not abuse the cord. Never use the cord for carrying, pulling or unplugging the power tool. Keep cord away from heat, oil, sharp edges or moving parts. Damaged or entangled cords increase the risk of electric shock.

When operating a power tool outdoors, use an extension cord suitable for outdoor use. Use of a cord suitable for outdoor use reduces the risk of electric shock.

If operating a power tool in a damp location is unavoidable, use a residual current device (RCD) protected supply. Use of an RCD reduces the risk of electric shock.

Personal safety

Stay alert, watch what you are doing and use common sense when operating a power tool.

Do not use a power tool while you are tired or under the influence of drugs, alcohol or medication. A moment of inattention while operating power tools may result in serious personal injury.

Use personal protective equipment. Always wear eye protection. Protective equipment such as a dust mask, non-skid safety shoes, hard hat or hearing protection used for appropriate conditions will reduce personal injuries.

Prevent unintentional starting. Ensure the switch is in the off-position before connecting to power source and/or battery pack, picking up or carrying the tool. Carrying power tools with your finger on the switch or energising power tools that have the switch on invites accidents.

Remove any adjusting key or wrench before turning the power tool on. A wrench or a key left attached to a rotating part of the power tool may result in personal injury.

Do not overreach. Keep proper footing and balance at all times. This enables better control of the power tool in unexpected situations.

Dress properly. Do not wear loose clothing or jewellery. Keep your hair and clothing away from moving parts. Loose clothes, jewellery or long hair can be caught in moving parts.

If devices are provided for the connection of dust extraction and collection facilities, ensure these are connected and properly used. Use of dust collection can reduce dust-related hazards.

Do not let familiarity gained from frequent use of tools allow you to become complacent and ignore tool safety principles. A careless action can cause severe injury within a fraction of a second.

5. HEALTH AND SAFETY INFORMATION

Power tool use and care

Do not force the power tool. Use the correct power tool for your application. *The correct power tool will do the job better and safer at the rate for which it was designed.*

Do not use the power tool if the switch does not turn it on and off. *Any power tool that cannot be controlled with the switch is dangerous and must be repaired.*

Disconnect the plug from the power source and/or remove the battery pack, if detachable, from the power tool before making any adjustments, changing accessories, or storing power tools. *Such preventive safety measures reduce the risk of starting the power tool accidentally.*

Store idle power tools out of the reach of children and do not allow persons unfamiliar with the power tool or these instructions to operate the power tool. *Power tools are dangerous in the hands of untrained users.*

Maintain power tools and accessories. Check for misalignment or binding of moving parts, breakage of parts and any other condition that may affect the power tool's operation. If damaged, have the power tool repaired before use. *Many accidents are caused by poorly maintained power tools.*

Keep cutting tools sharp and clean. *Properly maintained cutting tools with sharp cutting edges are less likely to bind and are easier to control.*

Use the power tool, accessories and tool bits etc. in accordance with these instructions, taking into account the working conditions and the work to be performed. *Use of the power tool for operations different from those intended could result in a hazardous situation.*

Keep handles and grasping surfaces dry, clean and free from oil and grease. *Slippery handles and grasping surfaces do not allow for safe handling and control of the tool in unexpected situations.*

Service

Have your power tool serviced by a qualified repair person using only identical replacement parts. *This will ensure that the safety of the power tool is maintained.*

5.2 ADDITIONAL SAFETY INSTRUCTIONS FOR SANDERS

- Always use the appropriate personal protective equipment. General purpose spectacles or sun glasses **must not** be used in lieu of safety glasses.
- When sanding certain woods, paint coatings and other materials, there is a risk of exposure to potentially hazardous toxic or carcinogenic dusts. If in doubt, seek qualified advice. For work activities involving exposure to fine wood dust, a mask rated to at least FFP2 should be used in conjunction with this tool. Always follow the material supplier safety data.
- Never leave the sander unattended with the motor running.
- This product **must not** be used in conjunction with water for sanding applications. There is no adequate protection for liquid ingress when used for this type of operation.
- It is imperative to ensure the adequate ventilation of the work area when using this sander.
- Before use, check over the sanding pad for any signs of cracks or breakages. Any such flaws in the sanding pad could result in a potential injury.

5.3 RESIDUAL RISK

Important: Although the safety instructions and operating manuals for our tools contain extensive instructions of safe working with power tools, every power tool involves a certain residual risk which


can not be completely excluded by safety mechanisms. Power tools must therefore always be operated with caution!

5. HEALTH AND SAFETY INFORMATION

5.4 CONNECTION TO THE POWER SUPPLY

Caution: Risk of electric shock. Do not open.

This appliance is supplied with a moulded 3 pin mains plug for your safety. The value of the fuse fitted is marked on the pin face of the plug. Should the fuse need replacing, ensure the substitute is of the correct rating, approved to BS1362 and ASTA or BSI Kite marked.

ASTA 

BSI 


The fuse cover is removable with a small plain slot screwdriver. Ensure the fuse cover is replaced before attempting to connect the plug to an electrical outlet. If the cover is missing, a replacement must be obtained or the plug replaced with a suitable type.

If a replacement plug is to be fitted this must be carried out by a qualified electrician.

The damaged or incomplete plug, when cut from the cable should be disabled to prevent connection to a live electrical outlet.

This appliance is Class II[†] and is designed for connection to a power supply matching that detailed on the rating label and compatible with the plug fitted.

If an extension lead is required, use an approved and compatible lead rated for this appliance. Follow all the instructions supplied with the extension lead.

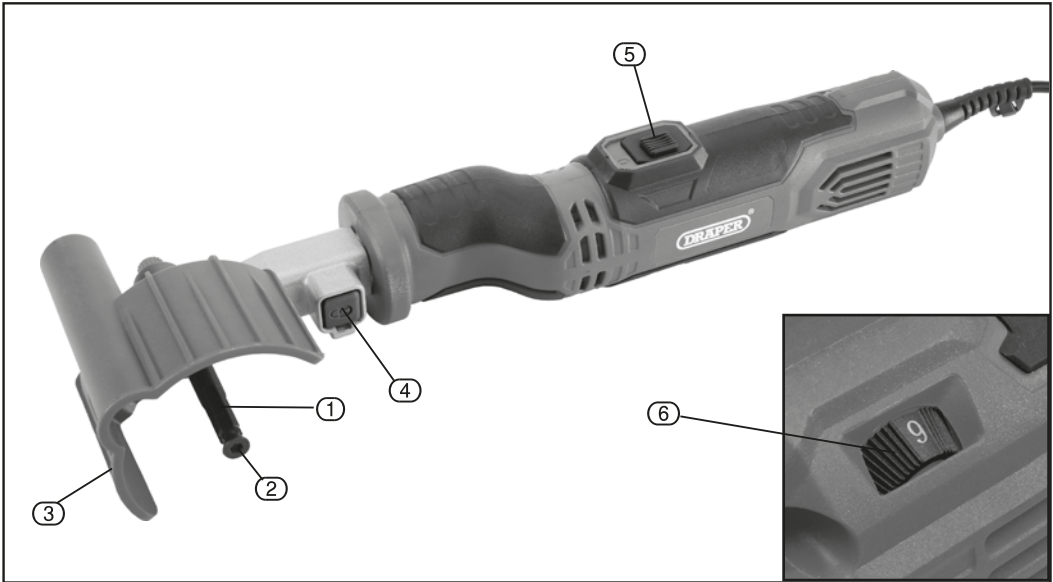
[†]*Double insulated : This product requires no earth connection as supplementary insulation is applied to the basic insulation to protect against electric shock in the event of failure of the basic insulation.*

IMPORTANT

If using an extension lead, follow the instructions that came with your lead regarding maximum load while cable is wound. If in doubt, ensure that the entire cable is unwound. Using a coiled extension lead will generate heat which could melt the lead and cause a fire.

6. TECHNICAL DESCRIPTION

6.1 IDENTIFICATION



- ① Spindle/tool holder.
- ② Holding screw.
- ③ Dust guard / spark deflector.
- ④ Spindle lock button.
- ⑤ ON / OFF Switch.
- ⑥ Speed control dial.

7. UNPACKING AND CHECKING

7.1 PACKAGING

Carefully remove the product from the packaging and examine it for any sign of damage that may have happened during shipping. Lay the contents out and check them against the parts shown below. If any part is damaged or missing, please contact the Draper Help Line (the telephone number appears on the Title page) and do not attempt to use the product.

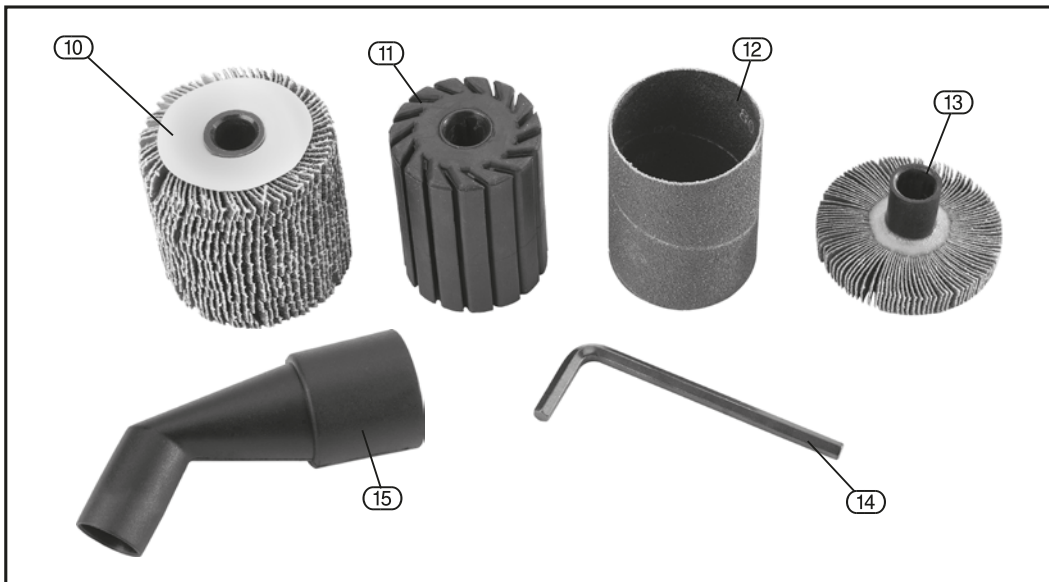
The packaging material should be retained at least during the warranty period, in case the machine needs to be returned for repair.

Warning!

- Some of the packaging materials used may be harmful to children. Do not leave any of these materials in the reach of children.
- If any of the packaging is to be thrown away, make sure they are disposed of correctly, according to local regulations.

7.2 WHAT'S IN THE BOX

As well as the sander, there are several parts not fitted or attached to it.



(10) Ø60 x 60mm 80G abrasive flap wheel.

(11) Ø45 x 60mm sanding sleeve holder.

(12) Ø45 x 60mm 80G sanding sleeve.

(13) Ø60 x 10mm 80G abrasive flap wheel.

(14) Hex. key.

(15) Dust extractor.

8. PREPARING SANDING ROLLER

8.1 FITTING AND CHANGING SANDING ACCESSORIES

Flap wheels, wire brushes, polishing rolls

- Press the spindle lock button.
- Unscrew the holding screw with the hex key provided.
- Push the sanding accessory onto the tool holder.
- Secure by refitting the holding screw.

Note: Sanding accessories can only be fitted one way. The sanding accessory must slide on easily. Do not attempt to force the sanding accessory onto the tool holder. Check the correct direction of the sanding accessory.

Sanding

- Fit the sanding sleeve holder as described above.
- Press the spindle lock button and turn the holder by hand until the spindle lock engages.
- Slide the sleeve in place and turn anticlockwise to engage, with the slots on the sanding sleeve holder.

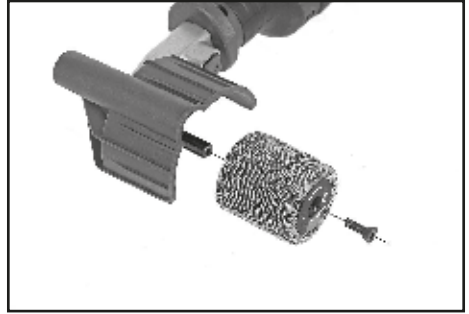


FIG.1

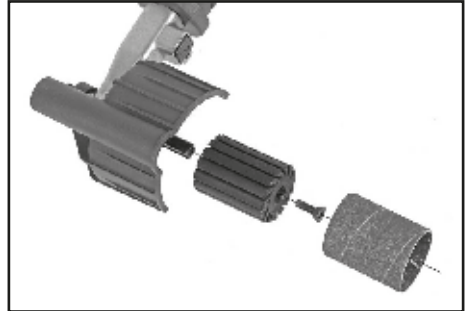


FIG.2

8.2 DUST GUARD / SPARK DEFLECTOR

Assembly

- Slide the spark deflector along the grooves on the sanding arm.
- Tighten the knurled screw.

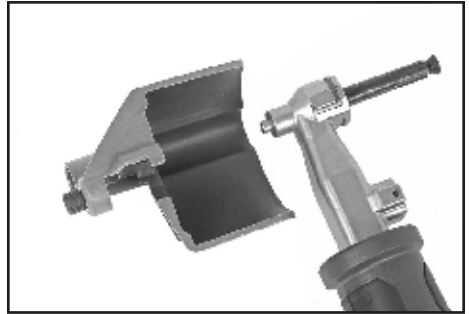


FIG.3

Adjustment

- When the spark deflector is mounted it can be adjusted in 4 positions as required by the user.
- Push the spark deflector into the required position along the sanding arm.

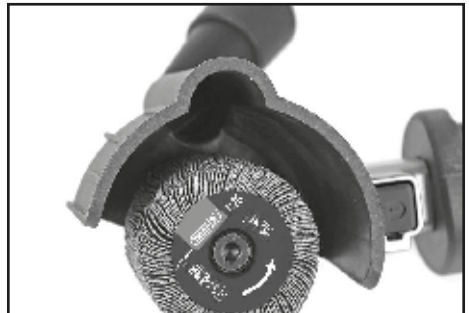


FIG.4

8. PREPARING SANDING ROLLER

8.3 DUST – FIGS. 3 - 4

Inhalation of dust particles can be detrimental to health. The dust outlet can be connected to a dust extraction machine using the adaptor provided.

FITTING THE DUST EXTRACTION EXTRACTOR

- Slide the dust extraction adapter into the corresponding hole in the dust guard / spark deflector.
- Connect the suction hose from your dust extractor/vacuum cleaner to the adaptor, ensuring compatibility.
- The dust extraction device has to be suitable for the material of the workpiece.
- Use a suitable dust extraction device when toxic, carcinogenic or fine dust is produced.

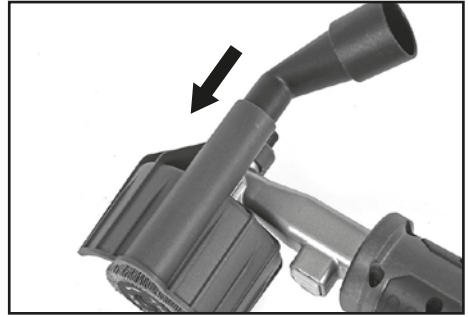


FIG.5

9. BASIC SANDING ROLLER OPERATIONS

9.1 SWITCHING ON AND OFF

The ON/OFF switch is located on top of the machine.

- **To switch the machine ON:** Push the switch to position "I".



FIG.5

- **To switch the machine OFF:** Push the switch to position "0".

Warning: Inspect the sanding accessories before every use. Sanding accessories have to be securely fitted and be able to run freely. Carry out a 1 minute test run. Do not use damaged, eccentric or vibrating sanding accessories. Damaged sanding accessories can burst, be ejected and cause injuries and damages.



FIG.5

9.2 SPEED CONTROL

- The rotation speed can be set between 1600 rpm and 3000 rpm with the speed control switch.
- The speed control switch has 6 levels marked on it >1< indicates the lowest speed setting >6< the highest.

Note: The speed can also be adjusted during operation as described above.

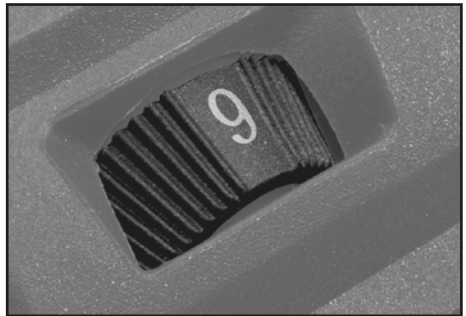


FIG.5

10. MAINTENANCE AND TROUBLESHOOTING

10.1 MAINTENANCE

Regular inspection and cleaning reduces the necessity for maintenance operations and will keep your tool in good working condition.

The motor must be correctly ventilated during tool operation. Avoid blocking the air inlets and vacuum the ventilation slots regularly.

10.2 TROUBLESHOOTING

Warning: For your own safety, turn the switch off and remove the plug from the power supply socket.

Problem	Possible Cause	Required Action
<ul style="list-style-type: none">• Motor does not start.	<ul style="list-style-type: none">• Fuse.• Brushes worn.• Other.	<ul style="list-style-type: none">• 5 amp time delay fuse or circuit breaker.• Have brushes replaced.• Contact an authorised service centre.
<ul style="list-style-type: none">• Reduced sanding efficiency.	<ul style="list-style-type: none">• Abrasive sheet worn, clogged or cracked.	<ul style="list-style-type: none">• Replace abrasive sheet †

11. OPTIONAL ACCESSORIES

11.1 OPTIONAL ACCESSORIES

A full range of accessory abrasive sheets are available from Draper Tools.

Please visit our website for details: www.drapertools.com

†Abrasive sheets and the base pad are both considered consumable items.

12. DISPOSAL

12.1 DISPOSAL

- At the end of the machine's working life, or when it can no longer be repaired, ensure that it is disposed of according to national regulations.
- Contact your local authority for details of collection schemes in your area.

In all circumstances:

- Do not dispose of power tools with domestic waste.
- Do not incinerate.
- Do not dispose of WEEE* as unsorted municipal waste.



* *Waste Electrical & Electronic Equipment.*

13. EXPLANATION OF SYMBOLS

13.1 EXPLANATION OF SYMBOLS



Read the instruction manual.



Wear face mask and safety glasses.



Wear ear defenders.



Wear protective gloves.



Long and loose hair must be contained or securely tied back.



Keep out of the reach of children.



Warning!



Single value noise marking.
(Maximum declared A-Weighted sound power level in decibels).



Class II construction
(Double insulated).



WEEE –
Waste Electrical &
Electronic Equipment.

Do not dispose of Waste Electrical & Electronic Equipment in with domestic rubbish.

NOTES

NOTES

CONTACTS

Draper Tools Limited, Hursley Road,
Chandler's Ford, Eastleigh, Hampshire. SO53 1YF. U.K.

Help line: (023) 8049 4344

Sales Desk: (023) 8049 4333

Internet: drapertools.com

E-mail: sales@drapertools.com

General Enquiries: (023) 8026 6355

Service/Warranty Repair Agent:

For aftersales servicing or warranty repairs, please contact the Draper Tools Help line for details of an agent in your local area.

YOUR DRAPER STOCKIST

TAKC0719

©Published by Draper Tools Limited.

No part of this publication may be reproduced, stored in a retrieval system or transmitted in any form or by any means, electronic, mechanical photocopying, recording or otherwise without prior permission in writing from Draper Tools Ltd.