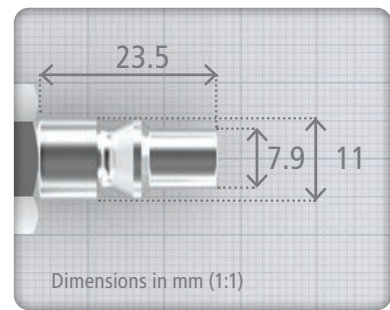


# ARO 210-profile (Orion)

SERIES 512 522 532 572



## COMPATIBILITY:

Standard: ARO 210

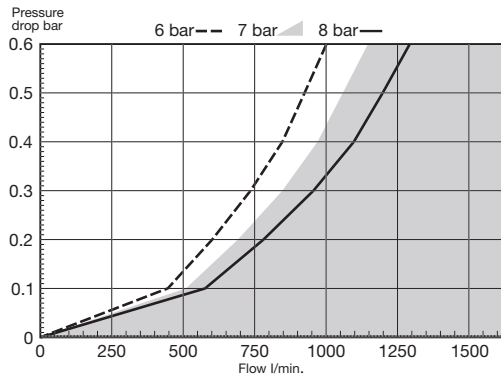
Flow diameter: 5.5 mm

Connectable with the following:

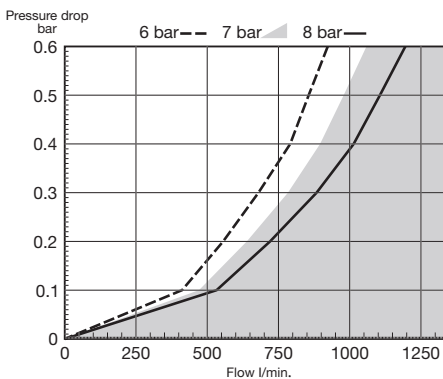
Cejn 300, Hansen 100 & Auto-Flo 23, Orion 44150 & 44515, Proquix 1280, 1281, Rectus-Tema 14 & 22, and many more

- see the coupling overview.

### Flowdiagram: Series 512, 522, 532



### Flowdiagram: Series 572



	Series 512	Series 522
	Reduced connection force	Heavy Duty Low weight
<b>Max. working pressure</b>	<b>16 bar</b>	<b>25 bar</b>
<b>Burst pressure</b>	<b>140 bar</b>	<b>150 bar</b>
<b>Temperature range</b>	<b>-20 °C to +60 °C</b>	<b>-20 °C to +60 °C</b>
<b>Flow diameter</b>	<b>5.5 mm</b>	<b>5.5 mm</b>
<b>1/4" BSP internal thread</b>	512-002000	522-002000
<b>1/4" NPT internal thread</b>	512-032000	522-032000
<b>3/8" BSP internal thread</b>	512-004000	522-004000
<b>3/8" NPT internal thread</b>	512-034000	522-034000
<b>1/2" BSP internal thread</b>	512-005000	522-005000
<b>1/2" NPT internal thread</b>	512-035000	522-035000
<b>1/4" BSPT ext. thread</b>	512-012000	522-012000
<b>1/4" NPT ext. thread</b>	512-042000	522-042000
<b>3/8" BSPT ext. thread</b>	512-014000	522-014000
<b>3/8" NPT ext. thread</b>	512-044000	522-044000
<b>1/2" BSPT ext. thread</b>	512-015000	522-015000
<b>1/2" NPT ext. thread</b>	512-045000	522-045000
<b>1/4" (6 mm) hose con.</b>	512-022000	522-022000
<b>5/16" (8 mm) hose con.</b>	512-023000	522-023000
<b>3/8" (10 mm) hose con.</b>	512-024000	522-024000
<b>1/2" (13 mm) hose con.</b>	512-025000	522-025000
<b>PUR conn. ø5/ø8 mm</b>	512-052000	522-052000
<b>PUR conn. ø6.5/ø10 mm</b>	512-054000	522-054000
<b>PUR conn. ø8/ø12 mm</b>	512-055000	522-055000
<b>PUR conn. ø9.5/ø13.5 mm</b>	512-056000	522-056000
<b>Housing</b>	Steel, el. galvanized	Steel, el. galvanized
<b>Ball cage</b>	Steel, el. galvanized	Acetal plastic
<b>Valve</b>	Brass	POM
<b>Retaining ring</b>	Hardened steel, el. galv.	Hardened steel, el. galv.
<b>Guard ring</b>	-	-
<b>Balls</b>	Hardened steel	Hardened steel
<b>Seals</b>	Nitrile rubber	Nitrile rubber
<b>Springs</b>	Stainless spring wire	Stainless spring wire

The JWL couplings and nipples with external thread can also be delivered with teflon.

## JWL ADVANTAGES

Robust and impact-resistant couplings. All couplings are pressed together to prevent leaks. Low pressure drop thanks to optimized valve system. One-handed connection and release. Anti-whip nipples are available as accessories. The 522- & 532-Series are also available in stainless and acid proof steel.

## LOW CONNECTION FORCE

The series 512 and 572 are supplied with a user-friendly valve system that reduces the connection force by 50 % compared to conventional valve systems currently available.

## SAFETY COUPLING

The 572 series has a two-step release system.

## HEAVY DUTY:

The series 522 and 532 are suitable for heavy-duty use.

## VACUUM COUPLING

The seals/washers of the 512 series also make it suitable as a vacuum coupling.



Series 532	Series 572	Nipples
Heavy Duty	Safety coupling Low connex. force	Hardened steel
<b>25 bar</b>	<b>16 bar</b>	
<b>150 bar</b>	<b>150 bar</b>	
<b>-20 °C to +60 °C</b>	<b>-20 °C to +60 °C</b>	
<b>5.5 mm</b>	<b>5.5 mm</b>	

532-002000	572-002000	522302
532-032000	572-032000	522332 *
532-004000	572-004000	522304
532-034000	572-034000	522334 *
532-005000	572-005000	522305
532-035000	572-035000	522335 *
532-012000	572-012000	522312
532-042000	572-042000	522342 *
532-014000	572-014000	522314
532-044000	572-044000	522344 *
532-015000	572-015000	522315
532-045000	572-045000	522345 *
532-022000	572-022000	522322
532-023000	572-023000	522323
532-024000	572-024000	522324
532-025000	572-025000	522325
532-052000	572-052000	522352
532-054000	572-054000	522354
532-055000	572-055000	522355
532-056000	572-056000	522356



Steel, el. galvanized	Steel, el. galvanized
Steel, el. galvanized	Brass, nickel plated
POM	Brass
Hardened steel, el. galv.	Hardened steel, el. galv.
-	PA6
Hardened steel	Hardened steel
Nitrile rubber	Nitrile rubber
Stainless spring wire	Stainless spring wire

\* On request