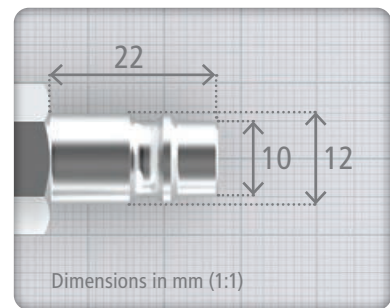


EURO-profile

SERIES 510 520 530 540 550 560 570



COMPATIBILITY:

Standard : EURO

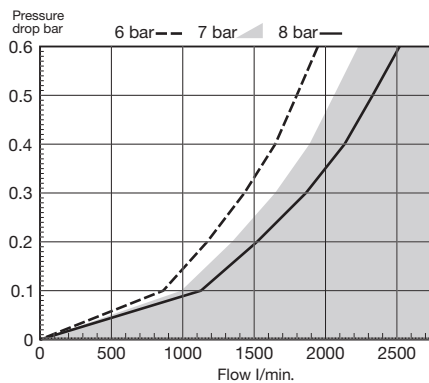
Flow diameter : 7.8 mm

Connectable with the following:

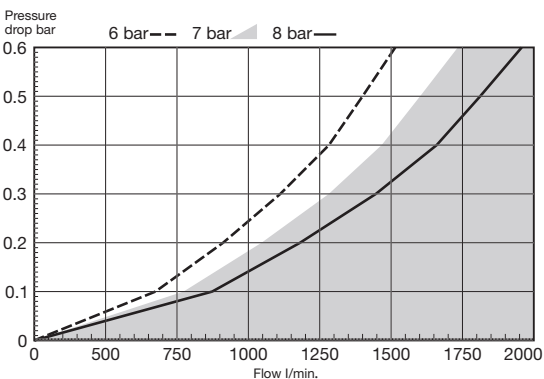
Cejn 320, Hansen Auto Flo 24, Proquix 1420 & 1421, Legris 94xx A, Oetiker SC Series C, Prevost ESC 07 / ERC 07, Rectus-Tema 25, 26 & 1600.

See the coupling overview.

Flowdiagram: Series 510, 520, 530, 540, 550, 560



Flowdiagram: Series 570



Thread seal tape (12 m x 12 mm x 0.075 mm). Thread seal tape can be applied for the sealing of all kinds of threaded joints. Recommended temperature range: -200 °C to +100 °C. Max pressure: 20 bar

Art.no.: 700210

The JWL couplings and nipples with external thread can also be delivered with teflon.



	Series 510	Series 520
	Reduced connection force	Heavy Duty Low weight
Max. working pressure	-1 to 16 bar	35 bar
Burst pressure	140 bar	150 bar
Temperature range	-20 °C to +60 °C	-20 °C to +60 °C
Flow diameter	7.8 mm	7.8 mm
1/4" BSP internal thread	510-002000	520-002000
1/4" NPT internal thread	510-032000	520-032000
3/8" BSP internal thread	510-004000	520-004000
3/8" NPT internal thread	510-034000	520-034000
1/2" BSP internal thread	510-005000	520-005000
1/2" NPT internal thread	510-035000	520-035000
1/4" BSPT ext. thread	510-012000	520-012000
1/4" NPT ext. thread	510-042000	520-042000
3/8" BSPT ext. thread	510-014000	520-014000
3/8" NPT ext. thread	510-044000	520-044000
1/2" BSPT ext. thread	510-015000	520-015000
1/2" NPT ext. thread	510-045000	520-045000
1/4" (6 mm) hose con.	510-022000	520-022000
5/16" (8 mm) hose con.	510-023000	520-023000
3/8" (10 mm) hose con.	510-024000	520-024000
1/2" (13 mm) hose con.	510-025000	520-025000
PUR conn. ø5/ø8 mm	510-052000	520-052000
PUR conn. ø6.5/ø10 mm	510-054000	520-054000
PUR conn. ø8/ø12 mm	510-055000	520-055000
PUR conn. ø9.5/ø13.5 mm	510-056000	520-056000
Housing	Steel, el. galvanized	Steel, el. galvanized
Ball cage	Steel, el. galvanized	Acetal plastic
Valve	Brass	POM
Retaining ring	Hardened steel, el. galv.	Hardened steel, el. galv.
Guard ring	-	-
Balls	Hardened steel	Hardened steel
Seals	Nitrile rubber	Nitrile rubber
Springs	Stainless spring wire	Stainless spring wire

JWL ADVANTAGES

Robust and impact-resistant couplings. All couplings are pressed together to prevent leaks. Low pressure drop thanks to optimized valve system. One-handed connection and release. Anti-whip nipples are available as accessories. The series 540 and 550 are made of stainless steel.

LOW CONNECTION FORCE

The series 510 and 570 are supplied with a user-friendly valve system that reduces the connection force by 50% compared to conventional valve systems currently available.

SAFETY COUPLING

The 570 series has a two-step release system.

HEAVY DUTY:

The series 520 and 530 are suitable for heavy-duty use.

VACUUM COUPLING

The seals/washers of the 510 and 560 series also make them suitable as vacuum couplings.



Series 530	Series 540	Series 550	Series 560	Series 570	Nipples	
Heavy Duty	Stainless steel 316	Stainless steel 316	Vacuum resistant up to 100%	Safety coupling Low connex. force	Hardened steel	Stainless steel 316
35 bar	35 bar	35 bar	-1 til 35 bar	16 bar		
150 bar	150 bar	150 bar	150 bar	150 bar		
-20 °C to +60 °C	-20 °C to +60 °C	-20 °C to +60 °C	-20 °C to +60 °C	-20 °C to +60 °C		
7.8 mm	7.8 mm	7.8 mm	7.8 mm	7.8 mm		
530-002000	540-002000	550-002000	560-002000	570-002000	520302	540302
530-032000	540-032000 *	550-032000 *	560-032000	570-032000	520332	540332*
530-004000	540-004000	550-004000	560-004000	570-004000	520304	540304
530-034000	540-034000 *	550-034000 *	560-034000	570-034000	520334	540334*
530-005000	540-005000	550-005000	560-005000	570-005000	520305	540305
530-035000	540-035000 *	550-035000 *	560-035000	570-035000	520335	540335*
530-012000	540-012000	550-012000	560-012000	570-012000	520312	540312
530-042000	540-042000 *	550-042000 *	560-042000	570-042000	520342	540342*
530-014000	540-014000	550-014000	560-014000	570-014000	520314	540314
530-044000	540-044000 *	550-044000 *	560-044000	570-044000	520344	540344*
530-015000	540-015000	550-015000	560-015000	570-015000	520315	540315
530-045000	540-045000 *	550-045000 *	560-045000	570-045000	520345	540345*
530-022000	540-022000	550-022000	560-022000	570-022000	520322	540322
530-023000	540-023000	550-023000	560-023000	570-023000	520323	540323
530-024000	540-024000	550-024000	560-024000	570-024000	520324	540324
530-025000	540-025000	550-025000	560-025000	570-025000	520325	540325
530-052000	-	-	560-052000	570-052000	520352	-
530-054000	-	-	560-054000	570-054000	520354	-
530-055000	-	-	560-055000	570-055000	520355	-
530-056000	-	-	560-056000	570-056000	520356	-
Steel, el. galvanized	Stainless steel 316	Stainless steel 316	Steel, el. galvanized	Steel, el. galvanized	* On request	
Steel, el. galvanized	Stainless steel 316	POM	Acetal plastic	Brass, nickel plated		
POM	Stainless steel 316	POM	Brass	Brass		
Hardened steel, el. galv.	Stainless steel 316	Stainless steel 316	Hardened steel, el. galv.	Hardened steel, el. galv.		
-	-	-	-	PA6		
Hardened steel	Stainless steel 316	Stainless steel 316	Hardened steel	Hardened steel		
Nitrile rubber	Nitrile rubber	Nitrile rubber	Nitrile rubber	Nitrile rubber		
Stainless spring wire	Stainless	Stainless	Stainless spring wire	Stainless spring wire		

