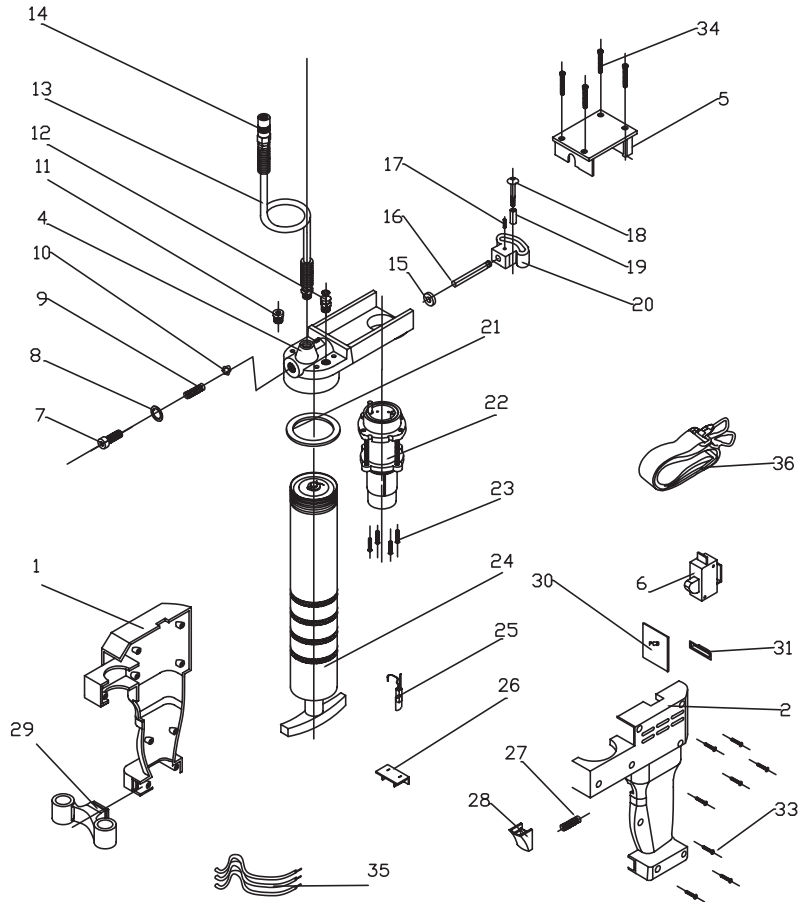




20V GREASE GUN

03359 - D20GGKIT SPARE PARTS DRAWING / LISTING



Key No.	Part No.	Stock No.	Description
1			(NP) Left Cover
2			(NP) Right Cover
4	YD20GGKIT-04	08070	Pump
5			(NP) Cover
6	YD20GGKIT-06	08071	Micro Switch
7			(NP) Nut
8			
9	YD20GGKIT-08A	08072	Tube seal assembly
10			
11			(NP) Filler valve
12			(NP) Vent valve
13	YD20GGKIT-13A	08073	Hose and nozzle
14			
15			
16			
17	YD20GGKIT-20A	08075	Ejector Pad Assembly
18			
19			
20			

Key No.	Part No.	Stock No.	Description
21	YD20GGKIT-21	08076	Tube seal
22	YD20GGKIT-22	08077	Motor and Gearbox
23			(NP) Screw
24			(NP) Tube
25	YD20GGKIT-25	08078	Current Protector
26			(NP) Plug
27	YD20GGKIT-28A	08079	Trigger Assembly
28			
29			(NP) Hose holder
30	YD20GGKIT-30A	08080	PCB Assembly
31			(NP) Double button
33			(NP) Tapping screw
34			(NP) Long screw
36	YD20GGKIT-36	08244	Shoulder strap