

EN

Original Instructions
Version 1

DRAPER[®]

12V BRUSHLESS
**COMBI
DRILL**

03862



**UK
CA** **CE**

1. Preface

These are the original product instructions. This document is part of the product; retain it for the life of the product, passing it on to subsequent holders. Read this manual in full before attempting to assemble, operate, or maintain this product.

This Draper Tools manual describes the purpose of the product and contains all the necessary information to ensure its correct and safe use. Following all the instructions and guidance in this manual will ensure the safety of both the product and the operator and increase the lifespan of the product.

All photographs and drawings within this manual are supplied by Draper Tools to help illustrate correct operation of the product.

Every effort has been made to ensure the information contained in this manual is accurate. However, Draper Tools reserves the right to amend this document without prior warning. Always use the latest version of the product manual.

1.1 Product Reference

User Manual for: 12V Brushless Combi Drill (Bare)

Stock No: 03862

Part No: BCD12V

1.2 Revisions

Version 1: March 2022

First release

As our manuals are continually updated, always ensure that the latest version is used.

Download the latest version from:
drapertools.com/manuals

1.3 Understanding the Safety Content

WARNING! – Situations or actions that may result in personal injury or death.

CAUTION! – Situations or actions that may result in damage to the product or surroundings.

Important: – Information or instructions of particular importance.

1.4 Copyright © Notice

Copyright © Draper Tools Limited.

Permission is granted to reproduce this manual for personal and educational use **ONLY**. Commercial copying, redistribution, hiring, or lending is strictly prohibited.

No part of this manual may be stored in a retrieval system or transmitted in any other form or means without written permission from Draper Tools Limited.

In all cases, this copyright notice must remain intact.

1. Preface	2
1.1 Product Reference	2
1.2 Revisions	2
1.3 Understanding the Safety Content	2
1.4 Copyright © Notice	2
2. Contents	3
3. Warranty	4
4. Product Introduction	5
4.1 Scope	5
4.2 Specification	5
5. Health and Safety Information	6
5.1 General Power Tool Safety Warnings	6
5.2 Drill Safety Warnings	7
5.3 General Safety Information for Batteries and Battery Packs	7
6. Identification and Unpacking	9
6.1 Product Overview	9
6.2 Packaging	9
7. Preparing the Combi Drill	10
7.1 Installing and Removing the Battery Pack (not supplied)	10
7.2 Inserting and Removing Drill Bits	10
7.3 Installing and Removing the Belt Clip	10
7.4 The Direction Switch	11
7.5 The Gearbox Switch	11
7.6 The Mode Control Ring	11
7.7 The Torque Control Ring	12
7.8 The LED Lamp	12
7.9 The Battery Level Indicators	12
8. Operating Instructions	14
8.1 Holding the Combi Drill	14
8.2 The Trigger	14
8.3 Drilling Operations	14
8.4 Driving Operations	15
8.5 Hammer Drilling Operations	16
8.6 Dust and Swarf	16
9. Maintenance and Troubleshooting	17
9.1 General Maintenance	17
9.2 Storing the Combi Drill	17
9.3 Troubleshooting	17
10. Disposal	18
11. Explanation of Symbols	19

3. Warranty

Draper Tools products are carefully tested and inspected before shipment and are guaranteed to be free from defective materials and workmanship.

Should the tool develop a fault, return the complete tool to your nearest distributor or contact Draper Tools directly. Contact information can be found at the back of this manual.

Proof of purchase must be provided.

If, upon inspection, it is found that the fault occurring is due to defective materials or workmanship, repairs will be carried out free of charge. This warranty period covers parts and labour for 24 months from the date of purchase. Where tools have been hired out, the warranty period covers 90 days from the date of purchase.

This warranty does not apply to any consumable parts, batteries or normal wear and tear, nor does it cover any damage caused by misuse, careless or unsafe handling, alterations, accidents, or repairs attempted or made by any personnel other than the authorised Draper Tools repair agent.

In all cases, to make a claim for faulty workmanship or materials within the standard warranty period, please contact or return the product to the place of purchase. Proof of purchase may be required.

If the place of purchase is no longer trading or if you experience any difficulties with your warranty, please contact Customer Services with the product details and your proof of purchase. Contact details can be found at the back of this manual.

If the tool is not covered by the terms of this warranty, repairs and carriage charges will be quoted and charged accordingly.

This warranty supersedes any other guarantees expressed or implied and variations of its terms are not authorised.

Your Draper Tools guarantee is not effective until you can produce, upon request, a dated receipt or invoice to verify your purchase within the guarantee period.

Please note that this warranty is an additional benefit and does not affect your statutory rights.

Draper Tools Limited

4.1 Scope

This combi drill is designed for boring holes into a variety of materials, including wood, plastic, metal and masonry, and features a brushless motor and hammer function. It may also be used for driving screws into wood, metal, ceramics and plastic. This product is intended for domestic and light-duty trade use. Any other application beyond the conditions established for use will be considered misuse. Always ensure that the correct tool mode is selected.

4.2 Specification

Stock No.	03862
Part No.	BCD12V
Drill Capacities:	
Wood:	21mm
Mild steel:	10mm
Masonry:	8mm
Fastening capacity:	
Wood screws:	5.1 x 63mm
Machine screws:	M6
Rated voltage:	12V DC
Maximum torque:	25Nm
Torque settings:	21
Revolutions per minute (no load):	0–500rpm
	0–1,1650rpm

Important: The declared vibration total values and noise emissions values have been measured in accordance with a standard test method and may be used for comparing one tool with another. These values may also be used in a preliminary assessment of exposure.

Charger (sold separately):

Stock No	70326
Part No	C12VDLII
Rated Voltage	100–240V AC
Rated Frequency	50–60Hz
Rated output	35W
Rated D.C. output voltage	12V
Rated D.C. output current	2.0A
Construction	Class II

Draper Tools accepts no responsibility for improper use of this product.

WARNING! This product is not a toy and must be respected.

Read this manual in full before attempting to assemble, operate or maintain the product, and retain it for later use.

Battery packs, chargers and drill bits are sold separately.

Impact rate:	0–7,500bpm
	0–24,750bpm
Chuck type: Metal, keyless	0.8–10mm
Part No.	BCD12V
Noise emissions:	
Sound pressure level:	85.4dB(A)
Uncertainty:	5dB(A)
Sound power level:	89dB(A)
Uncertainty:	5dB(A)
Vibration emissions:	
Impact drilling into concrete:	4.867m/s ²
Impact drilling into metal:	≤ 2.5m/s ²
Uncertainty:	1.5m/s ²
Weight (machine only):	0.88kg

WARNING! The vibration and noise emissions during actual use of the product can differ from the declared values depending on the mode selected and the workpiece upon which it is used. Noise levels during operations may reach 90dB(A). Before each use, estimate the likely exposure resulting from the actual conditions of use. Take into account all parts of the operation cycle in order to identify any safety measures required to protect the operator.

Battery packs (sold separately):

Stock No.	70308
Part No.	CB12VDLI1.5
Type	Li-ion
Rated Voltage	12V
Rating	1.5Ah

5.1 General Power Tool Safety Warnings

WARNING! Read all safety warnings, instructions, illustrations and specifications provided with this power tool. Failure to follow all instructions listed below may result in electric shock, fire and/or serious injury.

Save all warnings and instructions for future reference.

The term "power tool" in the warnings refers to your mains-operated (corded) power tool or battery-operated (cordless) power tool.

Work area safety

- Keep work area clean and well lit.
 - Cluttered or dark areas invite accidents.
- Do not operate power tools in explosive atmospheres, such as in the presence of flammable liquids, gases or dust.
 - Power tools create sparks which may ignite the dust or fumes.
- Keep children and bystanders away while operating a power tool.
 - Distractions can cause you to lose control.

Electrical safety

- Power tool plugs must match the outlet. Never modify the plug in any way. Do not use any adapter plugs with earthed (grounded) power tools.
 - Unmodified plugs and matching outlets will reduce risk of electric shock.
- Avoid body contact with earthed or grounded surfaces, such as pipes, radiators, ranges and refrigerators.
 - There is an increased risk of electric shock if your body is earthed or grounded.
- Do not expose power tools to rain or wet conditions.
 - Water entering a power tool will increase the risk of electric shock.
- Do not abuse the cord. Never use the cord for carrying, pulling or unplugging the power tool. Keep cord away from heat, oil, sharp edges or moving parts.
 - Damaged or entangled cords increase the risk of electric shock.
- When operating a power tool outdoors, use an extension cord suitable for outdoor use.
 - Use of a cord suitable for outdoor use reduces the risk of electric shock.

- If operating a power tool in a damp location is unavoidable, use a residual current device (RCD) protected supply.
 - Use of an RCD reduces the risk of electric shock.

Personal safety

- Stay alert, watch what you are doing and use common sense when operating a power tool. Do not use a power tool while you are tired or under the influence of drugs, alcohol or medication.
 - A moment of inattention while operating power tools may result in serious personal injury.
- Use personal protective equipment. Always wear eye protection.
 - Protective equipment such as a dust mask, non-skid safety shoes, hard hat or hearing protection use for appropriate conditions will reduce personal injuries.
- Prevent unintentional starting. Ensure the switch is in the off-position before connecting to power source and/or battery pack, picking up or carrying the tool.
 - Carrying power tools with your finger on the switch or energising power tools that have the switch on invites accidents.
- Remove any adjusting key or wrench before turning the power tool on.
 - A wrench or a key left attached to a rotating part of the power tool may result in personal injury.
- Do not overreach. Keep proper footing and balance at all times.
 - This enables better control of the power tool in unexpected situations.
- Dress properly. Do not wear loose clothing or jewellery. Keep your hair and clothing away from moving parts.
 - Loose clothes, jewellery or long hair can be caught in moving parts.
- If devices are provided for the connection of dust extraction and collection facilities, ensure these are connected and properly used.
 - Use of dust collection can reduce dust-related hazards.
- Do not let familiarity gained from frequent use of tools allow you to become complacent and ignore tool safety principles.
 - A careless action can cause severe injury within a fraction of a second.

Power tool use and care

- Do not force the power tool. Use the correct power tool for your application.
 - The correct power tool will do the job better and safer at the rate for which it was designed.
- Do not use the power tool if the switch does not turn it on and off.
 - Any power tool that cannot be controlled with the switch is dangerous and must be repaired.
- Disconnect the plug from the power source and/or remove the battery pack, if detachable, from the power tool before making any adjustments, changing accessories or storing power tools.
 - Such preventive safety measures reduce the risk of starting the power tool accidentally.
- Store idle power tools out of the reach of children and do not allow persons unfamiliar with the power tool or these instructions to operate the power tool.
 - Power tools are dangerous in the hands of untrained users.
- Maintain power tools and accessories. Check for misalignment or binding of moving parts, breakage of parts and any other condition that may affect the power tool's operation. If damaged, have the power tool repaired before use.
 - Many accidents are caused by poorly maintained power tools.
- Keep cutting tools sharp and clean.
 - Properly maintained cutting tools with sharp cutting edges are less likely to bind and are easier to control.
- Use the power tool, accessories and tool bits, etc., in accordance with these instructions, taking into account the working conditions and the work to be performed.
 - Use of the power tool for operations different from those intended could result in a hazardous situation.
- Keep handles and grasping surfaces dry, clean and free from oil and grease.
 - Slippery handles and grasping surfaces do not allow for safe handling and control of the tool in unexpected situations.

Service

- Have your power tool serviced by a qualified repair person using only identical replacement parts.

- This will ensure that the safety of the power tool is maintained.

5.2 Drill Safety Warnings

Safety Instructions for All Operations

- Wear ear protectors when impact drilling.
 - Exposure to noise can cause hearing loss.
- Hold the power tool by insulated gripping surfaces when performing an operation where cutting the accessory may contact hidden wiring or its own cord.
 - Cutting accessories or fasteners contacting a "live" wire may make exposed metal parts of the power tool "live" and could give the operator an electric shock.

Safety instructions when using long drill bits

- Never operate at higher speed than the maximum speed rating of the drill bit.
 - At higher speeds, the bit is likely to bend if allowed to rotate freely without contacting the workpiece, resulting in personal injury.
- Always start a drill at low speed and with the bit tip connected to the workpiece.
 - At higher speeds, the bit is likely to bend if allowed to rotate freely without contacting the workpiece, resulting in personal injury.
- Apply pressure only in direct line with the bit and do not apply excessive pressure.
 - Bits can bend, causing breakage or loss of control, resulting in personal injury.

5.3 General Safety Information for Batteries and Battery Packs

Important: This product requires a 12V battery pack (sold separately). Use **ONLY** the Draper Tools 12V range battery pack and charger intended for this product.

- **WARNING! NEVER charge non-rechargeable batteries.**
- **WARNING! DO NOT use the battery if leakage is evident. If battery fluid comes into contact with your skin, rinse immediately with water. For contact with eyes, flush with plenty of water and seek medical advice.**
- **NEVER** attempt to open the battery for any reason.

- Charge the battery in a dry and well-ventilated environment in ambient temperatures between 5 and 40°C.
- Use **ONLY** the appropriate Draper Tools charger to charge the battery pack.
- **DO NOT** short-circuit the battery by connecting the positive and negative terminals while outside of the product.
 - Keep the battery away from metallic objects that may inadvertently allow connection of the terminals.
- **DO NOT** store the battery pack in environments with ambient temperatures exceeding 50°C.
- Dispose of the battery pack responsibly and in accordance with local regulations.

6. Identification and Unpacking

6.1 Product Overview

Carefully remove the product from the packaging and examine it for any signs of damage that may have occurred during shipment.

If any part is damaged or missing, do not attempt to use the product. Please contact the Draper Helpline; contact details can be found at the back of this manual.



- | | |
|----------------------------------|------------------------------------|
| 1. Chuck (keyless) | 8. LED lamp |
| 2. Torque control ring (numbers) | 9. Direction switch |
| 3. Mode control ring (symbols) | 10. Battery level indicators |
| 4. Gearbox switch | 11. Grip |
| 5. Selection indicator | 12. Battery release buttons |
| 6. Belt clip | 13. Battery pack (not supplied) |
| 7. Trigger | 14. Battery charger (not supplied) |

6.2 Packaging

Keep the product packaging for the duration of the warranty period for reference should the product need to be returned for repair.

WARNING! Keep packaging materials out of reach of children. Dispose of packaging correctly and responsibly and in accordance with local regulations.

Please visit drapertools.com for our full range of accessories and consumables.

7. Preparing the Combi Drill

WARNING! ALWAYS ensure that the direction switch is in the central (off) position and the battery pack is removed before preparing or making any adjustments to the tool.

7.1 Installing and Removing the Battery Pack (not supplied)

Important: ONLY use this tool with battery packs and chargers from the Draper Tools 12V range. Read all of the safety and operation instructions provided with these parts before use.

Important: Before installing or removing the battery, ALWAYS ensure that the direction switch (9) is in the central (off) position and that the trigger (7) is locked.

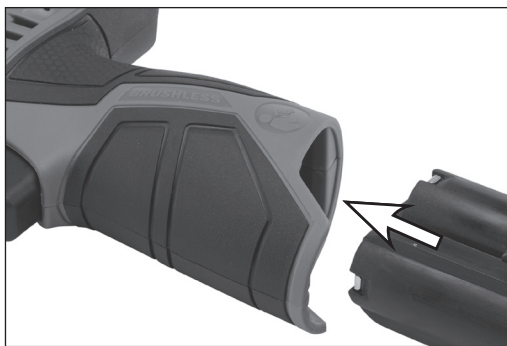


Fig. 1

- To install a battery pack (13), insert it into the socket at the base of the combi drill until it clicks into place. Do not force the battery, and ensure it is firmly secure before use.
- To remove a battery pack, press and hold the battery release buttons (12) on either side of the battery back and slide the battery away from the tool.

Important: The tool will automatically power down if the battery voltage drops too low or overheats. **DO NOT** use the tool until the battery pack has been charged or cooled, as appropriate. The tool will also stop automatically if it is used in a manner that draws an excessive current. If this occurs, release the trigger and check that the drill settings are appropriate for the operation.

7.2 Inserting and Removing Drill Bits



Fig. 2

1. Twist the chuck (1) anticlockwise to open the jaws and remove any bit currently installed.
2. Insert a new bit into the jaws as far it will go. **Important:** Short screwdriver bits should only be inserted to the depth of the hexagon shank before tightening the chuck.
3. Twist the chuck clockwise until it is firmly tightened around the bit.

WARNING! ALWAYS ensure that drill and drive bits are straight and firmly secured in the chuck before use. After use, allow drill bits to cool before handling.

7.3 Installing and Removing the Belt Clip

To insert the belt clip (6), slide the latching pin into the opening at the back of the drill housing as far as possible. The clip can be inserted from either side of the drill.

To remove the belt clip, press firmly on the latching pin and pull the clip out of the drill housing.

WARNING! ALWAYS ensure that the belt clip is fully inserted or removed. **DO NOT** use the belt clip if it is not installed correctly.

7.4 The Direction Switch

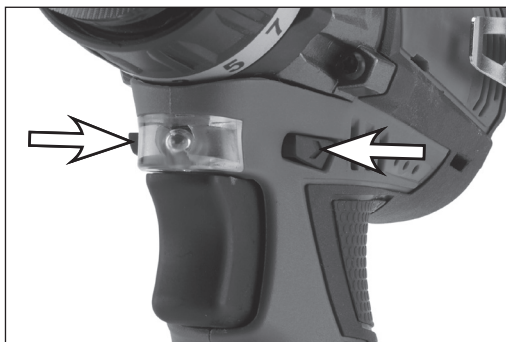


Fig. 3

To set the direction of the drill action, push the direction switch (9) into the correct position:

- **Clockwise (forward) drill action:** With the trigger facing away from you, push the direction switch to the right.
 - Use this mode for drilling and driving screws into the workpiece.
- **Anticlockwise (reverse) drill action:** With the trigger facing away from you, push the direction switch to the left.
 - Use this mode for removing screws or the drill bit from the workpiece.
- **Off (neutral):** Push the direction switch into the central position to prevent the trigger from being pressed.
 - The trigger cannot be pressed when the direction switch is in the off position.

Important: The trigger must be released before the direction switch can be adjusted.

7.5 The Gearbox Switch



Fig. 4

To change the drill speed, slide the gearbox switch (4) so that the appropriate number is visible. Two speeds are available:

Visible number	Speed	Torque	Use
1	Low	High	Heavy load operations requiring greater force.
2	High	Low	Light load operations requiring less force.

CAUTION! ALWAYS ensure that the gearbox switch is fully in the required position and DO NOT change its position during operation. ALWAYS release the trigger before adjusting the gearbox switch.

7.6 The Mode Control Ring

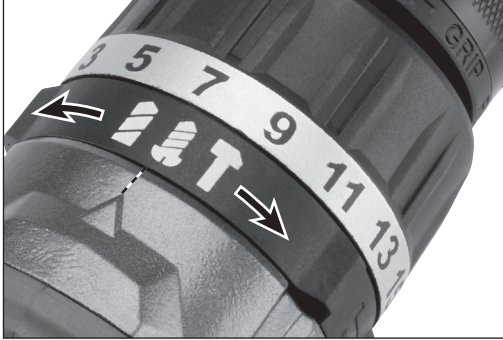





Fig. 5

The type of drilling action can be set using the mode control ring (3). The most appropriate drilling action will vary according to the operation.

-  **Drill mode:** Rotation with the highest torque applied automatically.
-  **Drive mode:** Rotation with the selected torque applied.
 - If the Mode control ring becomes stiff after use in this mode, run the tool for a few moments before stopping and adjusting the ring.
-  **Hammer mode:** Rotation with hammer action and the selected torque applied.

CAUTION! ALWAYS ensure that the mode control ring fully in the required position and DO NOT change its position during operation. ALWAYS release the trigger before adjusting the ring.

7.7 The Torque Control Ring



Fig. 6

The level of torque (rotational force) applied by the drill can be set using the torque control ring (2). The most appropriate level of torque will vary according to the operation:

- Harder workpieces typically require higher torque.
- Softer workpieces typically require lower torque.

The numbers on the torque control ring represent the size of the rotational force applied during operation; a larger number equates to a greater force.

Important: To protect your workpiece, Draper Tools recommends using spare material matching the workpiece to test the torque before use.

7.8 The LED Lamp

WARNING! DO NOT look directly into the lamp or direct it towards others.

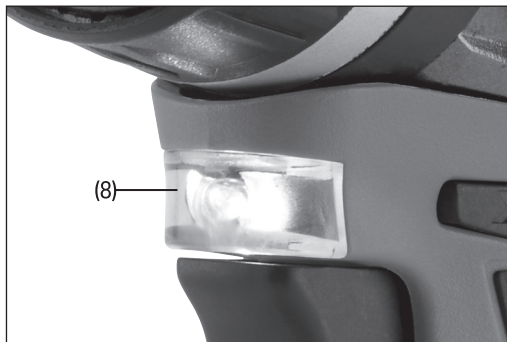


Fig. 7

The LED lamp (8) illuminates automatically when the trigger is pressed and goes out approximately ten seconds after it is released.

If the tool overheats, the lamp will flash for approximately ten seconds and the drill will stop automatically. When this occurs, release the trigger and allow the drill to cool.

7.9 The Battery Level Indicators

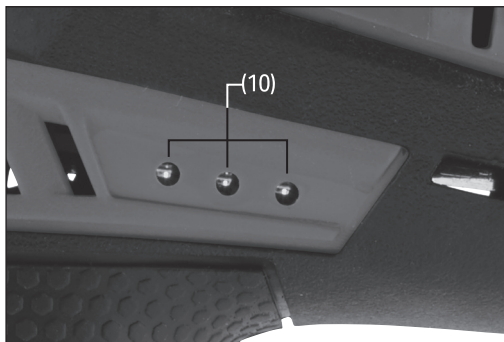


Fig. 8

The battery level indicators (10) illuminate automatically when the trigger is pressed and go out approximately five seconds after it is released. The battery level indicators may show the following:

Three lights on: The battery is fully charged.

- **Two lights on:** The battery is less than 60% charged.
- **One light on:** The battery is less than 30% charged.
- **No lights on:** The battery is less than 10% charged and the tool cannot be used.

Important: Battery levels shown by the indicators are an approximation only and may vary subject to environmental conditions.

Important: Before use, read and understand all the safety instructions listed in this manual. Ensure that all attachments are securely fixed and settings are positioned correctly before use. Secure any loose workpieces before operating.

CAUTION! If the speed of the drill significantly reduces during operation, release the trigger and remove the drill from the workpiece to avoid damaging the tool. **ONLY** use the drill at a reduced speed when starting an operation.

8.1 Holding the Combi Drill

Hold the drill securely with one hand on the grip (11) and the other either beneath the battery pack (13) or against the back of the drill with your fingers over the top of the casing. This will help to brace against the rotation action.



Fig. 9



Fig. 10

CAUTION! DO NOT cover any vents or openings on the drill and keep your hands away from moving parts during operation.

8.2 The Trigger

This combi drill features a variable speed trigger (7). To start the drill, select a rotation direction and press the trigger. Changing the pressure on the trigger changes the speed at which the chuck rotates:

- Increasing the pressure on the switch speeds up the chuck rotation.
- Decreasing the pressure on the switch slows down the chuck rotation.

CAUTION! While it is recommended to begin all drilling and driving operations with a slow rotation, slow speeds should not be used for the entire operation as this may damage the drill motor.

8.3 Drilling Operations

Important: Drilling operation concerns use of the tool to bore holes into the workpiece with the hammer action disabled.

1. Rotate the mode control ring (3) so that Drill mode [Icon – Drill] is selected and install the appropriate drill bit into the chuck (1).
2. Use the gearbox switch (4) to set the appropriate speed; the highest torque is applied automatically.
3. Ensure that the direction switch (9) is in the central (off) position and install the battery pack (13) (not supplied).
4. Keeping your finger off the trigger, use the direction switch to set a forward rotation direction.
5. Position the drill against the workpiece and gently press the trigger (7), applying light pressure onto the drill as required.
CAUTION! DO NOT apply excessive force to the drill. This will not speed up the operation but may damage the tool and the workpiece.
6. Gradually increase pressure on the trigger and hold it in place until the required hole is drilled.
7. To remove the drill, use the direction switch to set a reverse rotation direction and gently press the trigger, drawing the drill carefully from the hole.

TIP – Drilling Wood

When drilling a wooden workpiece, Draper Tools recommends using a guide screw. To prevent splitting around the hole on the back of the workpiece, clamp a piece of scrap timber beneath the point to be drilled before drilling the hole.

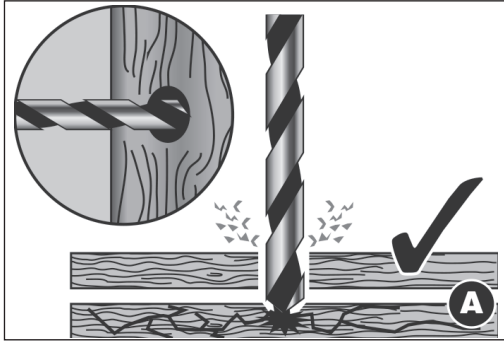


Fig. 11

TIP – Drilling Metal

When drilling a metal workpiece, use a centre punch (such as Draper Tools Stock No. 82456) with a hammer to make an indentation at the point to be drilled before using the drill. Position the point of the drill bit in the indentation during operation to prevent slipping. Apply a suitable cutting lubricant when drilling most metals and use a suitable HSS drill bit.

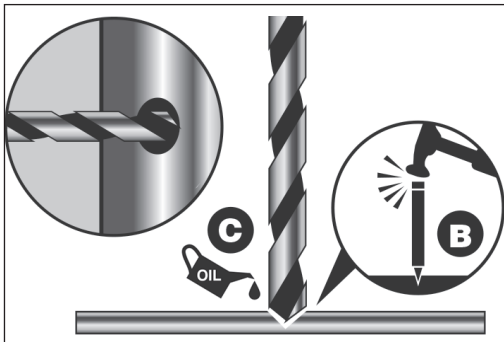


Fig. 12

Important: Brass, copper and iron workpieces should be drilled without lubricant.

CAUTION! This tool should NOT be used to drill hard or dense metals as it may not reach the required speeds for a clean cut and snagging may occur. Exercise

additional caution and carefully observe the drill bit when using a metal workpiece.

TIP – Drilling Masonry

Use the Hammer mode  for drilling masonry; see **8.5 Hammer Drilling Operations.**

8.4 Driving Operations

Important: Driving operation concerns use of the tool to drive screws in and out of the workpiece.

1. Rotate the mode control ring (3) so that Drive mode [Icon – Screw] is selected and insert the appropriate driver bit into the chuck (1).
2. Use the gearbox switch (4) to set the speed as appropriate and set the torque using the torque control ring (2).

CAUTION! DO NOT use excessive torque to drive the screw into the workpiece. This may damage the workpiece, the screw and the tool.

3. Ensure that the direction switch (9) is in the central (off) position and install the battery pack (13) (not supplied).
4. Keeping your finger off the trigger, use the direction switch to set the appropriate rotation direction.
 - Use the forward direction to insert screws into the workpiece.
 - Use the reverse direction to remove screws from the workpiece.
5. Position the tip of the driver bit into the screw head, keeping the screw and the drill bit straight.
 - If inserting the screw, lightly pinch the screw thread between your fingers and position the screw against the workpiece.
6. Gently press the trigger (7), allowing the tool to start slowly, then increase the speed gradually by increasing pressure on the trigger.
 - If inserting the screw, allow it to find purchase in the workpiece and then let go of the screw before increasing the drilling speed.
 - If removing the screw, observe the screw as it nears release so that its removal can be controlled.

CAUTION! DO NOT apply excessive force to the drill. This will not speed up the operation but may damage the tool and the workpiece.

7. Reduce the pressure on the trigger as the operation nears completion, then release the trigger when complete.


TIP – Driving Into Wood

When driving screws into a wooden workpiece, Draper Tools recommends drilling a pilot hole roughly 2/3 of the diameter of the screw at the point where the screw will be inserted. This will make driving the screw easier and protect the workpiece.

8.5 Hammer Drilling Operations

Important: Hammer drilling operation concerns the use of the tool to drill into masonry with the hammer action enabled.

CAUTION! The drill applies high levels of force in this mode. If the drill bit gets clogged or jams, the drill bit may jerk or twist. ALWAYS hold the drill securely and brace yourself against the torque.

1. Rotate the mode control ring (3) so that Hammer mode  is selected and install the appropriate drill bit into the chuck (1).

Important: ALWAYS use an appropriate drill bit when drilling into masonry.

2. Use the gearbox switch (4) to set the speed as appropriate and set the torque using the torque control ring (2).

CAUTION! DO NOT use excessive torque to drill into the workpiece. This may damage the workpiece and the tool.

3. Ensure that the direction switch (9) is in the central (off) position and install the battery pack (13) (not supplied).
4. Keeping your finger off the trigger, use the direction switch to set a forward rotation direction.
5. Position the drill against the workpiece and gently press the trigger (7), applying light pressure onto the drill as required.

CAUTION! DO NOT apply excessive force to the drill. This will not speed up the operation but may damage the tool and the workpiece.

6. Increase the pressure on the trigger and hold it in place until the required hole is drilled.

Important: If the hole becomes clogged with dust or particles, **DO NOT** apply additional pressure. Press

the trigger very slightly, allow the drill to turn slowly and remove the drill partially from the hole. Repeat this several times to guide the debris out of the hole.

7. When the hole is complete, release the trigger.

TIP – Drilling Masonry

When drilling into masonry, start the drill slowly until the bit has penetrated the surface. Then, slowly increase the drill speed. Frequently remove debris from the hole and drill bit flutes.

8.6 Dust and Swarf

Drilling operations may produce large amounts of dust from the workpiece; **ALWAYS** wear a suitable dust mask and eye protection during operation.

Swarf produced when drilling metal is very sharp. Wear protective gloves and take care when clearing swarf from the workpiece. The burr that is left on the hole is also sharp and should be removed and smoothed using suitable tools.

Important: Maintenance and repairs should be carried out **ONLY** by authorised and suitably qualified personnel.

WARNING! ALWAYS ensure that the direction switch (9) is in the central (off) position and that the battery pack has been removed before performing any maintenance to this product.

9.1 General Maintenance

Important: This product as shipped contains no parts that are serviceable or replaceable by the user. Accessories and consumables that may be used with the product are sold separately.

- Use only spare parts supplied by Draper Tools.
- Use this product **ONLY** with the recommended 12V range battery pack and charger supplied by Draper Tools.
 - ALWAYS check the ratings plate for compatibility before use.
- **DO NOT** expose the drill to rain or wet conditions.

- Keep the chuck and jaws clean and free from obstructions.
- Clean the product regularly using a dry cloth.

CAUTION! NEVER use aggressive chemicals to clean the product as these may damage plastic or insulated parts.
- **ALWAYS** remove the battery pack from the tool when not in use.

9.2 Storing the Combi Drill

- Store the product in a clean and dry location, out of reach of children.

CAUTION! Prolonged exposure to moisture can cause the drill to rust and render the product unsafe.
- Close the chuck jaws before storage.
- **ALWAYS** remove the battery before storage.
- When stored for extended periods, charge the battery periodically to maintain its health.

9.3 Troubleshooting

Problem	Possible Cause	Remedy
The drill does not operate when the trigger is pressed.	The battery pack has not been installed or has a low charge.	Recharge and install the battery pack.
	The direction switch (9) is in the central (off) position.	Set the rotation direction using the direction switch.
	There is a fault with the battery pack.	Contact Draper Tools to discuss replacement options.
The drill motor runs slowly or is losing power.	The battery pack has not been installed or has a low charge.	Recharge and install the battery pack.
	There is a fault with the battery pack.	Contact Draper Tools to discuss replacement options.
The chuck jaws do not close or grip the drill bit correctly.	Swarf or other obstructions are present in the jaws.	Remove any obstructions from the jaws and chuck mechanism.
The battery pack doesn't charge, or the charger LED does not illuminate.	The fuse in the charger plug has blown.	Replace the fuse.
	There is a fault with the charger.	Contact Draper Tools to discuss replacement options.
The drill does not drive screws completely into the workpiece.	The torque setting is not high enough.	Increase the value selected on the torque control ring (2).
Screws are driven too far into the workpiece and the workpiece splits.	The torque setting is too high.	Decrease the value selected on the torque control ring (2).



At the end of its working life, or when it can no longer be repaired, dispose of the product according to local regulations.

Contact your local authority for details of collection schemes in your area.

In all circumstances:

- **DO NOT** dispose of power tools with domestic waste.
- **DO NOT** incinerate.
- **DO NOT** abandon in the environment.
- Dispose of the battery pack in accordance with local regulations or return to your warranty agent or stockist for recycling.
 - Remove the battery from the tool and allow it to discharge before disposal.
 - **DO NOT** burn or mutilate batteries as this may release toxic or corrosive materials.

11. Explanation of Symbols



Read the instruction manual



Warning!



Wear suitable eye and face protection



Wear ear defenders



Wear protective gloves



Do not incinerate or throw onto fire



Do not abandon in the environment



Keep out of the reach of children



Direction of rotation



For indoor use only.
Do not expose to rain



Rated voltage



Max. revolutions per minute



Max. blows per minute



Max. torque



Product weight (bare)



Wood drilling capacity



Metal drilling capacity



Masonry drilling capacity



Compatible drill bit sizes



2 speed gearbox



WEEE-

Waste Electrical & Electronic Equipment

Do not dispose of Waste Electrical & Electronic Equipment in with domestic rubbish

Contact Details

Draper Tools

Draper Tools Limited
Hursley Road
Chandler's Ford
Eastleigh
Hampshire
SO53 1YF
UK

Website: drapertools.com

Email: sales@drapertools.com

Product Helpline: +44 (0) 23 8049 4344

Telephone Sales Desk: +44 (0) 23 8049 4333

General Enquiries: +44 (0) 23 8026 6355

General Fax: +44 (0) 23 8026 0784

Delta International

Delta International BV
Oude Graaf 8
6002 NL
Weert
Netherlands

Service / Warranty Repair Agents

For aftersales servicing or warranty repairs, please contact the Draper Tools Product Helpline for details of an agent in your area.