

DRAPER[®]

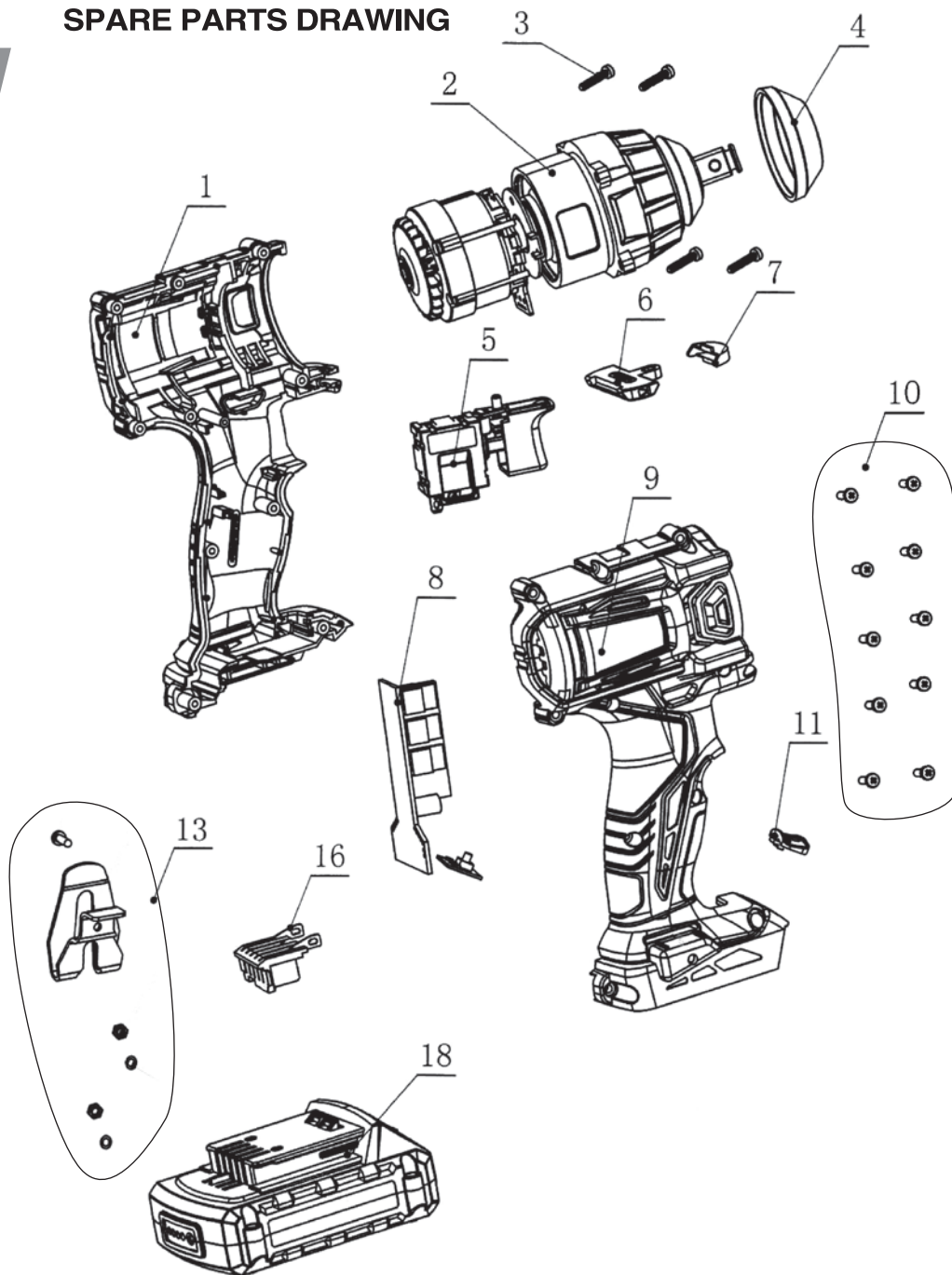
20V BRUSHLESS 1/2" SQ. DR.

IMPACT WRENCH



55343 / 86928 - D20IW250SET / D20IW250
SPARE PARTS DRAWING

D20
MULTI-TOOL BATTERY SYSTEM



KEY No.	PART No.	STOCK No.	DESCRIPTION
1	YD20IW250-1	97259	The left casing
2	YD20IW250-2	97260	Gear box
3	YD20IW250-3	97261	Cross head self-tapping screw set
4	YD20IW250-4	97262	Rubber head shell
5	YD20IW250-5	97263	Brushless switch
6	YD20IW250-6	97264	Push rod & lampshade
8	YD20IW250-8	97266	PCB

KEY No.	PART No.	STOCK No.	DESCRIPTION
9	YD20IW250-9	97267	The right casing
10	YD20IW250-10	97268	Panhead self-tapping screw set
11	YD20IW250-11	97269	Torque adjustment cover plate.
13	YD20IW250-13	97270	Buckle belt clip & fittings
16	YD20IW250-16	97273	The fuselage insert & frame
18			Battery pack

Helpline: +44 (0) 23 8049 4344 Sales Desk: +44 (0) 23 8049 4333 General Enquiries: +44 (0) 23 8026 6355 internet: drapertools.com email: sales@drapertools.com