

DRAPER[®]

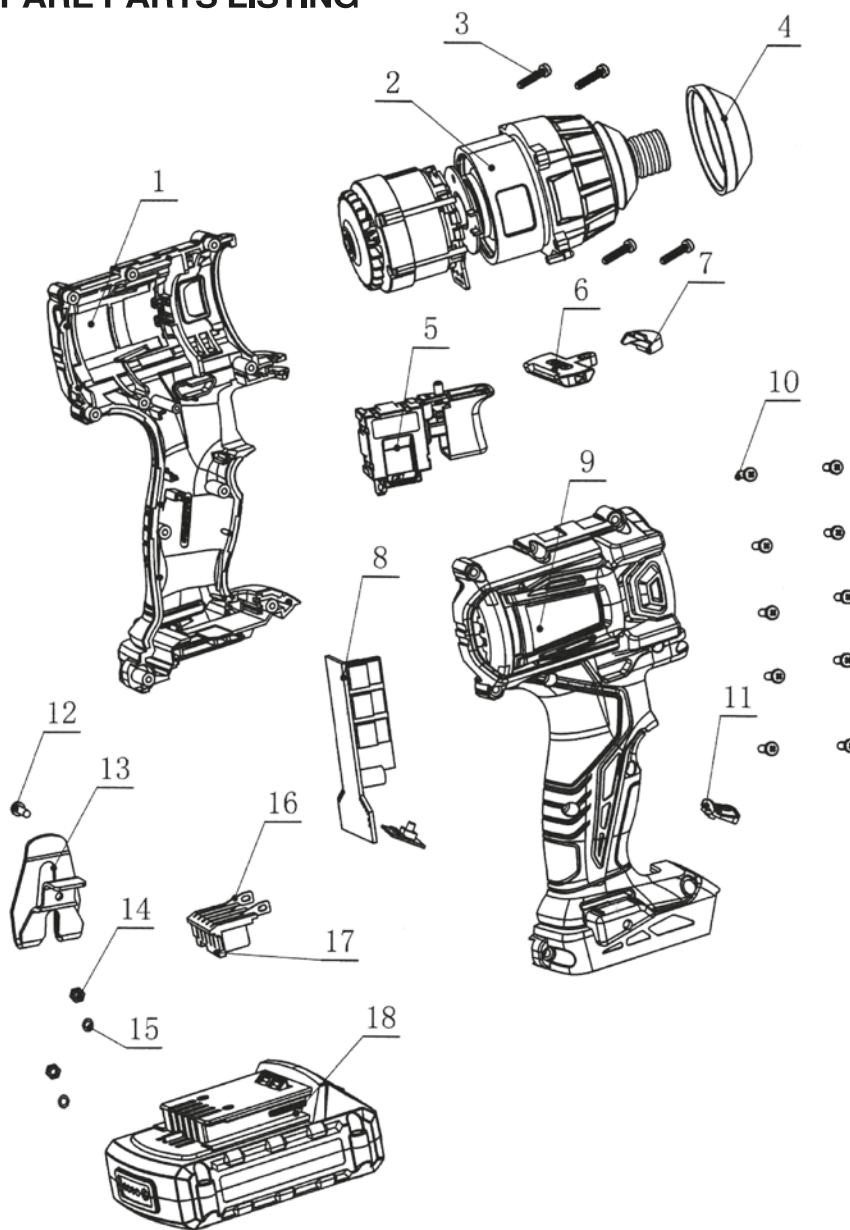
20V BRUSHLESS 1/4"HEX.

IMPACT DRIVER



55375 / 86958 - D20ID180 / D20ID180SET
SPARE PARTS LISTING

D20
MULTI-TOOL BATTERY SYSTEM



KEY No.	PART No.	STOCK No.	DESCRIPTION
1	YD20ID180-1	97277	left casing
2	YD20ID180-2	97278	Gear box
3	YD20ID180-3	97279	screw.
4	YD20ID180-4	97280	Rubber head shell
5	YD20ID180-5	97281	Brushless switch
8	YD20ID180-8	97282	PCB
6	YD20ID180-6	97283	Push rod
7	YD20ID180-7	97284	Lampshade
9	YD20ID180-9	97285	right casing

KEY No.	PART No.	STOCK No.	DESCRIPTION
10	YD20ID180-10	97286	screw
11	YD20ID180-11	97287	Torque adjustment cover plate
12	YD20ID180-12	97288	Cross Recess Head Screw
13	YD20ID180-13	97289	Belt Hook
14	YD20ID180-14	97290	Hexnut
15	YD20ID180-15	97291	Lock Washer
16	YD20ID180-16	97292	Connector
17	YD20ID180-17	97293	Frame
18		97277	Battery pack (86958 only)

Helpline: +44 (0) 23 8049 4344 Sales Desk: +44 (0) 23 8049 4333 General Enquiries: +44 (0) 23 8026 6355 internet: drapertools.com email: sales@drapertools.com